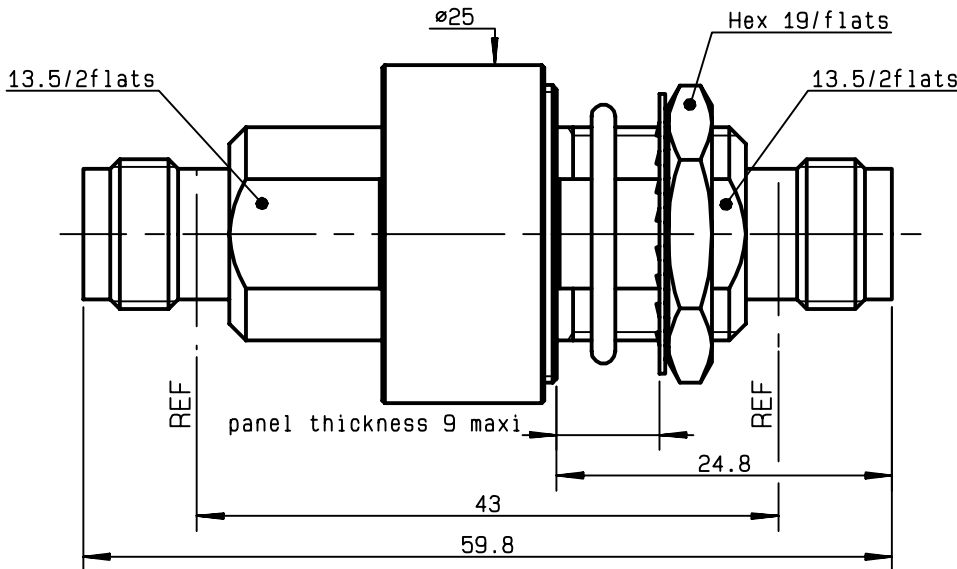
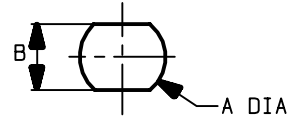


**FEMALE-FEMALE HERMETIC ADAPTOR
BULKHEAD PANEL SEAL**

R143.753.104
SERIES TNC



PERÇAGE PANNEAU
MOUNTING HOLE



	MM		INCH	
	maxi	mini	maxi	mini
A	16.1	16	0.634	0.63
B	13.7	13.6	0.539	0.535

NOMINAL IMPEDANCE	50	Ω
FREQUENCY RANGE	0-6	GHz
TEMPERATURE RATING	-65/+165	$^{\circ}\text{C}$
V.S.W.R	1.44 +	0 x F(GHz)Maxi
RF INSERTION LOSS	0.06	\sqrt{F} (GHz) dB Maxi
VOLTAGE RATING	500	Veff Maxi
DIELECTRIC WITHSTANDING VOLTAGE	1500	Veff Mini
INSULATION RESISTANCE	5000	M Ω Mini
HERMETIC SEAL	10-6	Atm.cm ³ /s
LEAKAGE (pressurized only)	0.35MPa	
MECHANICAL DURABILITY	500	Cycles
WEIGHT	83	gr
SPECIFICATION		

CABLES :

OTHERS CHARACTERISTICS

Puissance 280 W a 1.7 GHz

CABLE RETENTION	NA	N Mini
CENTER CONTACT RETENTION		
Axial force - mating end	18	N Mini
Axial force - opposite end	18	N Mini
Torque	NA	cm.N Mini
RECOMMENDED TORQUES		
Mating	NA	cm.N
Panel nut	500	cm.N
Clamp nut	NA	cm.N

CONNECTOR PARTS	MATERIALS	FINISH	(all values are given in micrometers)
BODY	BRASS	GOLD 1.3 OVER COPPER	0.5
OUTER CONTACT			
CENTER CONTACT	BERYLLIUM COPPER	GOLD 1.3 OVER COPPER	0.5
INSULATOR	PTFE+GLASS BEAD	-	
GASKET	BLACK FLUOROCARBON	-	
OTHERS PIECES	BRASS	GOLD 1.3 OVER COPPER	0.5

BONMINI

ISSUE	CREATION DATE	FILE PART-NUMBER
9910A00	09/04/1996	96-1206-107



RADIALL®

The information given here is subject to change without notice.
Design changes may be in order to improve the product.

Connect to the future