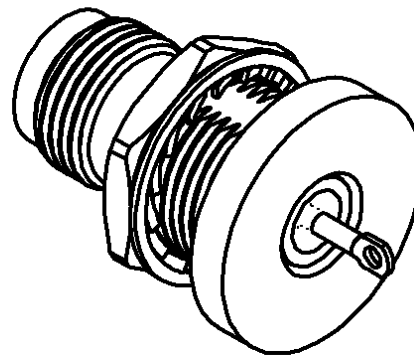
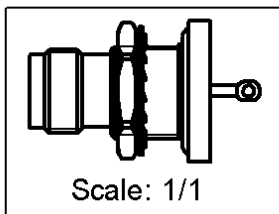
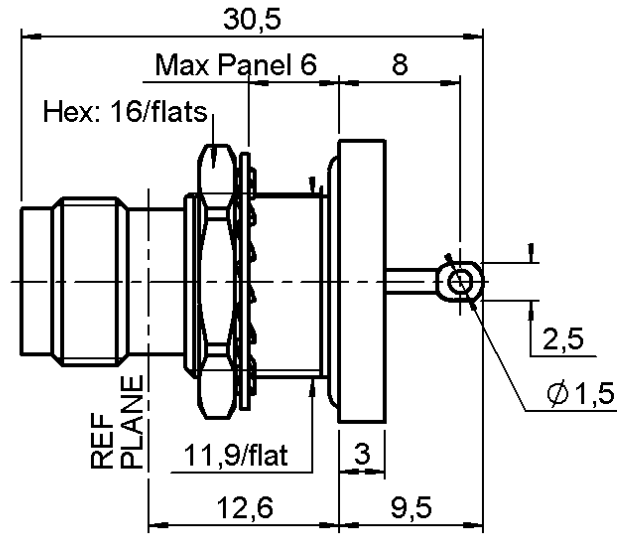


**BULKHEAD HERMETICAL JACK RECEPTACLE**

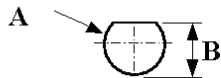
**R143.626.000**

**REAR MOUNT PANEL SEAL**

Series : TNC

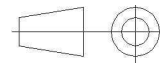


**PANEL CUT OUT**



mm		
	Maxi	mini
A	12.9	12.8
B	12.1	12

All dimensions are in mm.



COMPONENTS	MATERIALS	PLATINGS (µm)
BODY	BRASS	NICKEL 2
CENTER CONTACT	BERYLLIUM COPPER	GOLD 0.5 OVER NICKEL 2
OUTER CONTACT	-	-
INSULATOR	PTFE	-
GASKET	FLUOROCARBON	-
OTHERS PARTS	BRASS	NICKEL 2
-	-	-
-	-	-

Issue : 1251 E

In the effort to improve our products, we reserve the right to make changes judged to be necessary.



**BULKHEAD HERMETICAL JACK RECEPTACLE**

**R143.626.000**

**REAR MOUNT PANEL SEAL**

Series : TNC

**PACKAGING**

**SPECIFICATION**

Standard	Unit	Other
<b>1</b>	-	<b>Contact us</b>

**ELECTRICAL CHARACTERISTICS**

**ENVIRONMENTAL**

Impedance **50** Ω  
 Frequency **0-11** GHz  
 VSWR **1.06 + 0,0060** x F(GHz) Maxi  
 Insertion loss **.025\*** √F(GHz) dB Maxi  
 RF leakage - ( **57** - F(GHz)) dB Maxi  
 Voltage rating **500** Veff Maxi  
 Dielectric withstanding voltage **1500** Veff mini  
 Insulation resistance **5000** MΩ mini

Operating temperature **-25/+100** ° C  
 Hermetic seal **10-6** Atm.cm3/s  
 Panel leakage **NA**

**OTHERS CHARACTERISTICS**

Assembly instruction **NA**

Others :  
 \* Coaxial Transmission Line Only

**MECHANICAL CHARACTERISTICS**

Center contact retention  
 Axial force – Mating end **18** N mini  
 Axial force – Opposite end **18** N mini  
 Torque **2.8** N.cm mini

Recommended torque  
 Mating **NA** N.cm  
 Panel nut **250** N.cm

Mating life **500** Cycles mini  
 Weight **26,0000** g

Issue : 1251 E

In the effort to improve our products, we reserve the right to make changes judged to be necessary.

