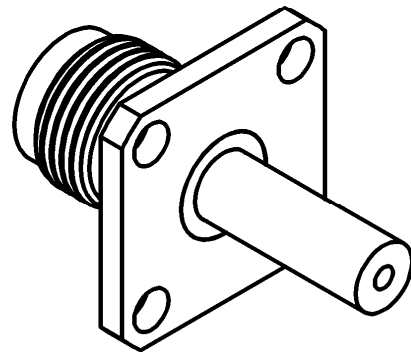
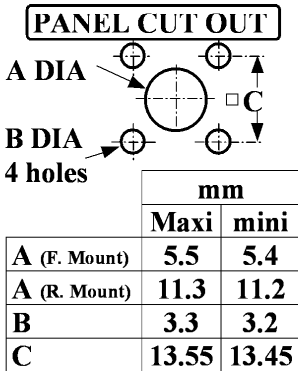
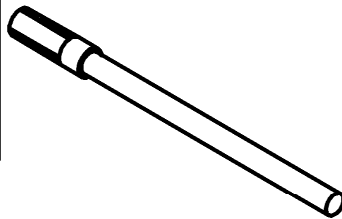
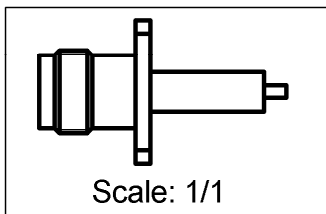
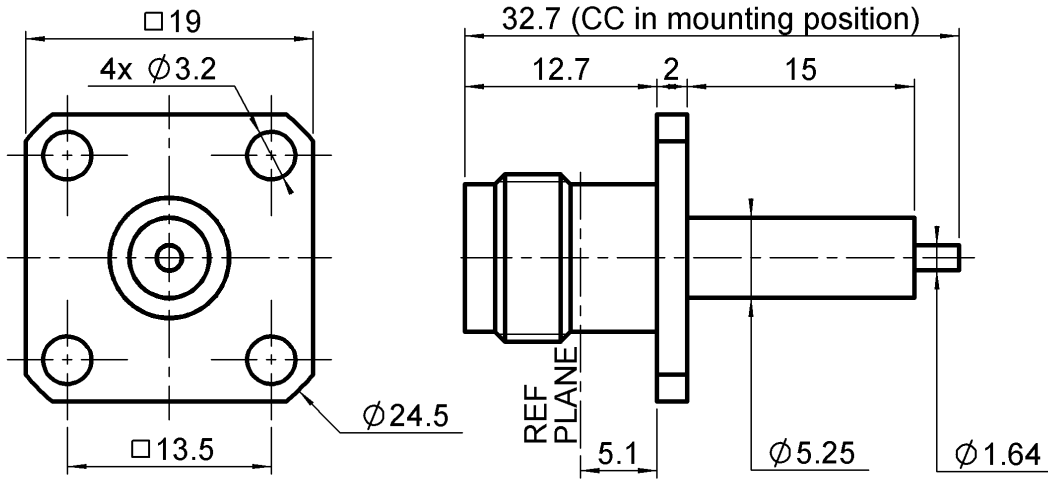


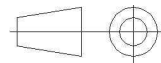
**SQUARE FLANGE JACK RECEPTACLE
WITH FREE CYLINDRICAL CONTACT**

R143.413.700

Series : TNC-18



All dimensions are in mm.



COMPONENTS	MATERIALS	PLATING (µm)
BODY	STAINLESS STEEL	PASSIVE .
CENTER CONTACT	BERYLLIUM COPPER	OR 2.5 SUR NICKEL 2
OUTER CONTACT	-	-
INSULATOR	PTFE	-
GASKET	-	-
OTHERS PARTS	STAINLESS STEEL	PASSIVE .
-	-	-
-	-	-

Issue : 1021 B

In the effort to improve our products, we reserve the right to make changes judged to be necessary.



**SQUARE FLANGE JACK RECEPTACLE
WITH FREE CYLINDRICAL CONTACT**

R143.413.700

Series : TNC-18

PACKAGING

SPECIFICATION

Standard	Unit	Other
1		Contact us

ELECTRICAL CHARACTERISTICS

ENVIRONMENTAL

Impedance	50	Ω
Frequency	0-18	GHz
VSWR	1.1 + 0,0100	x F(GHz) Maxi
Insertion loss	0.06	$\sqrt{F}(\text{GHz})$ dB Maxi
RF leakage	- (80+20)	- F(GHz)) dB Maxi
Voltage rating	500	Veff Maxi
Dielectric withstanding voltage	1500	Veff mini
Insulation resistance	5000	M Ω mini

Operating temperature	-65/+105	$^{\circ}$ C
Hermetic seal	NA	Atm.cm3/s
Panel leakage	NA	

OTHER CHARACTERISTICS

Assembly instruction

Others :
Interface only

MECHANICAL CHARACTERISTICS

Center contact retention		
Axial force – Mating end	NA	N mini
Axial force – Opposite end	NA	N mini
Torque	NA	N.cm mini
Recommended torque		
Mating	NA	N.cm
Panel nut	NA	N.cm
Mating life	500	Cycles mini
Weight	9,9000	g

Issue : 1021 B

In the effort to improve our products, we reserve the right to make changes judged to be necessary.

RADIALL 