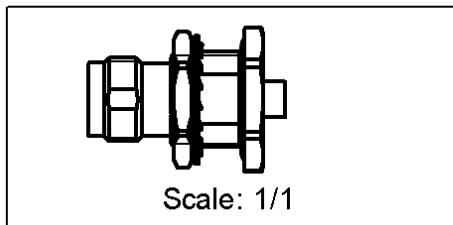
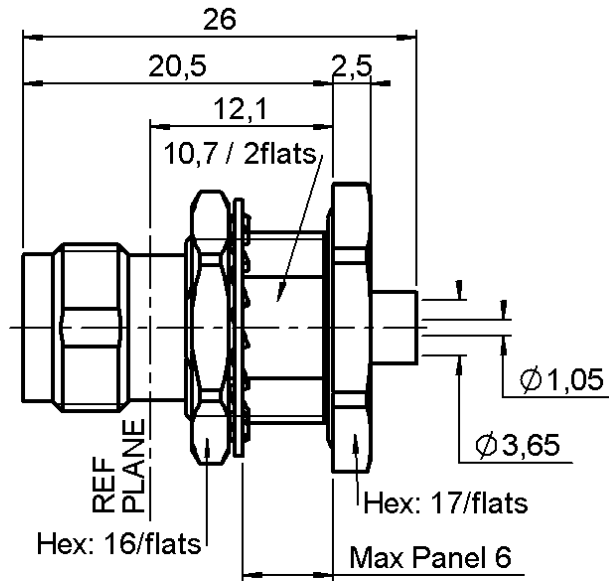


STRAIGHT BULKHEAD JACK PANEL SEAL

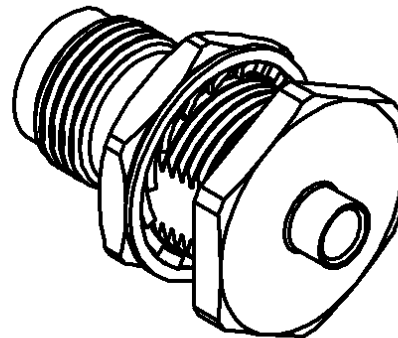
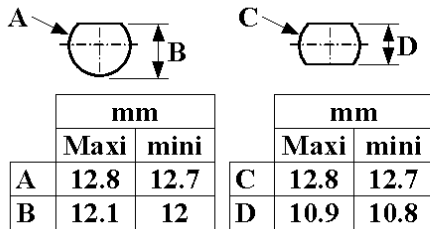
R143.337.017

REAR MOUNT SOLDER TYPE - CABLE .141

Series : TNC



PANEL CUT OUT



All dimensions are in mm.

COMPONENTS	MATERIALS	PLATINGS (µm)
BODY	BRASS	BBR 2
CENTER CONTACT	BERYLLIUM COPPER	GOLD 0.5 OVER NICKEL 2
OUTER CONTACT	-	-
INSULATOR	PTFE	-
GASKET	SILICONE RUBBER	-
OTHERS PARTS	BRASS	BBR 2
-	-	-
-	-	-

Issue : 0041 A

In the effort to improve our products, we reserve the right to make changes judged to be necessary.



STRAIGHT BULKHEAD JACK PANEL SEAL

R143.337.017

REAR MOUNT SOLDER TYPE - CABLE .141

Series : TNC

PACKAGING

Standard	Unit	Other
100	'W' option	Contact us

SPECIFICATION

ELECTRICAL CHARACTERISTICS

Impedance		50 Ω
Frequency		0-11 GHz
VSWR	1.30 +	0.000 x F(GHz) Maxi
Insertion loss		0.06 √F(GHz) dB Maxi
RF leakage	- (57 - F(GHz)) dB mini
Voltage rating		500 Veff Maxi
Dielectric withstanding voltage		1500 Veff mini
Insulation resistance		5000 MΩ mini

CABLE ASSEMBLY

Stripping	a	b	c	d	e	f
mm	4.00	0.00	0.00	0.00	0.00	0.00

Assembly instruction :

Recommended cable(s)
KS 2
RG 402

Cable retention

- pull off	270 N mini
- torque	NA N.cm

MECHANICAL CHARACTERISTICS

Center contact retention		
Axial force – Mating end	27	N mini
Axial force – Opposite end	NA	N mini
Torque	NA	N.cm mini

TOOLING

Part Number	Description	Hexagon
.	.	.

Recommended torque		
Mating	NA	N.cm
Panel nut	370	N.cm
Clamp nut	NA	N.cm
A/F clamp nut	0.000	mm

Mating life	500	Cycles mini
Weight	16.000	g

OTHERS CHARACTERISTICS

ENVIRONMENTAL

Operating temperature	-65/+105	° C
Hermetic seal	NA	Atm.cm3/s
Panel leakage	AD	

Issue : 0041 A

In the effort to improve our products, we reserve the right to make changes judged to be necessary.

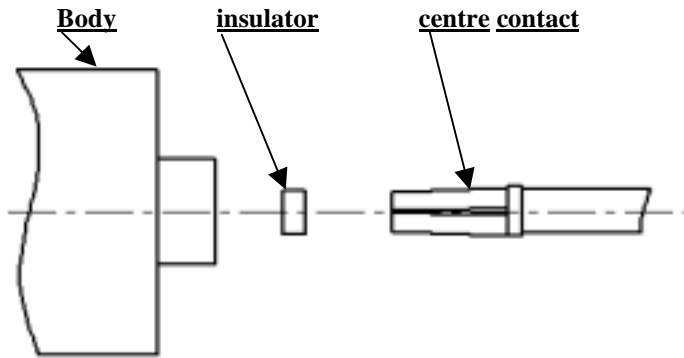


STRAIGHT BULKHEAD JACK PANEL SEAL
REAR MOUNT SOLDER TYPE - CABLE .141

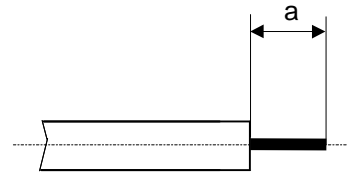
R143.337.017

Series : TNC

COMPONENTS

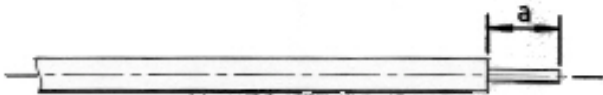


SRTIPPING DIMENSIONS



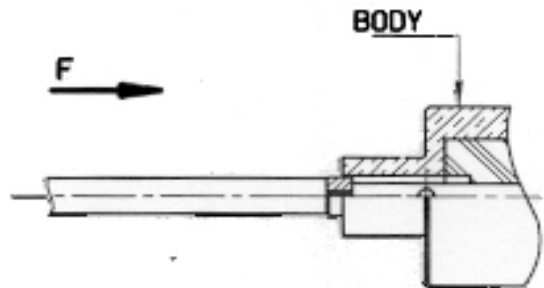
1

Strip the cable
 Clean the cable.



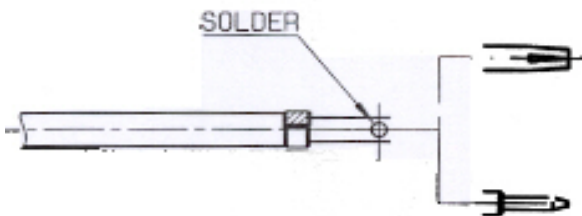
3

Slide sub-assembly into the body (in direction F).



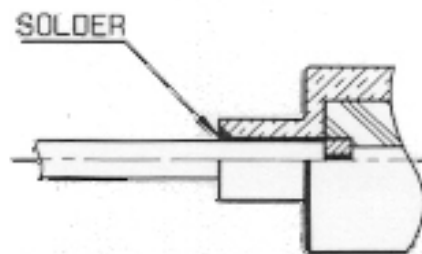
2

Slide the insulator onto the cable inner conductor.
 Solder the cable inner conductor.
 Clean solder area.



4

Solder the cable into body.
 After cooling clean soldering area.



Issue : 0041 A

In the effort to improve our products, we reserve the right to make changes judged to be necessary.

