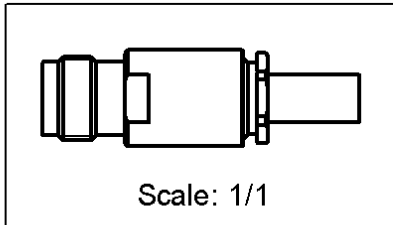
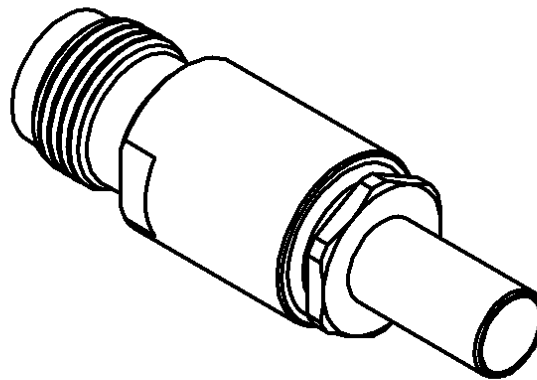
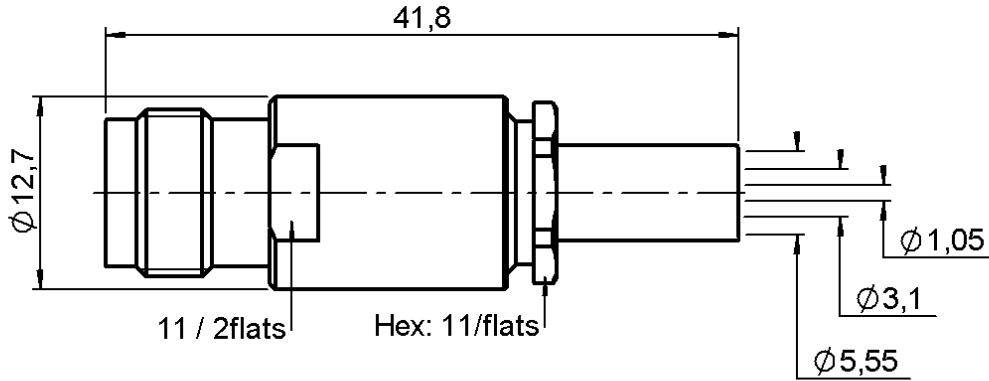


STRAIGHT JACK CRIMP TYPE

R143.238.000

CABLE 5/50 S

Series : TNC



All dimensions are in mm.



| COMPONENTS | MATERIALS | PLATINGS (µm) |
|----------------|------------------|------------------------|
| BODY | BRASS | NICKEL 2 |
| CENTER CONTACT | BERYLLIUM COPPER | GOLD 0.5 OVER NICKEL 2 |
| OUTER CONTACT | - | - |
| INSULATOR | PTFE | - |
| GASKET | SILICONE RUBBER | - |
| OTHERS PARTS | BRASS | NICKEL 2 |
| - | - | - |
| - | - | - |

Issue : 0237 J

In the effort to improve our products, we reserve the right to make changes judged to be necessary.



STRAIGHT JACK CRIMP TYPE

R143.238.000

CABLE 5/50 S

Series : TNC

PACKAGING

| Standard | Unit | Other |
|------------|------|-------------------|
| 100 | | Contact us |

SPECIFICATION

ELECTRICAL CHARACTERISTICS

| | | |
|---------------------------------|---------------|-----------------------------|
| Impedance | | 50 Ω |
| Frequency | | 0-4 GHz |
| VSWR | 1.30 + | 0.000 x F(GHz) Maxi |
| Insertion loss | | 0.06 √F(GHz) dB Maxi |
| RF leakage | - (| 57 - F(GHz)) dB Maxi |
| Voltage rating | | 500 Veff Maxi |
| Dielectric withstanding voltage | | 1500 Veff mini |
| Insulation resistance | | 5000 MΩ mini |

CABLE ASSEMBLY

| Stripping | a | b | c | d | e | f |
|-----------|------|------|------|------|------|------|
| mm | 7.00 | 8.50 | 26.0 | 0.00 | 19.0 | 0.00 |

Assembly instruction : **Crimp 10**

Recommended cable(s)
 RG 58
 KX 15
 RG 141

Cable retention
 - pull off **90** N mini
 - torque **NA** N.cm

MECHANICAL CHARACTERISTICS

| | | |
|----------------------------|-----------|-----------|
| Center contact retention | | |
| Axial force – Mating end | 27 | N mini |
| Axial force – Opposite end | 27 | N mini |
| Torque | NA | N.cm mini |

TOOLING

| Part Number | Description | Hexagon |
|--------------|---------------|-----------|
| . | . | . |
| R282.223.000 | CRIMPING TOOL | 1.73-5.41 |
| R282.235.011 | CRIMPING DIES | 1.73-5.41 |
| R282.293.000 | CRIMPING TOOL | - |

| | | |
|--------------------|---------------|------|
| Recommended torque | | |
| Mating | NA | N.cm |
| Panel nut | NA | N.cm |
| Clamp nut | 450 | N.cm |
| A/F clamp nut | 11.000 | mm |

| | | |
|-------------|--------------|-------------|
| Mating life | 500 | Cycles mini |
| Weight | 0.000 | g |

OTHERS CHARACTERISTICS

-

ENVIRONMENTAL

| | | |
|-----------------------|-----------------|-----------|
| Operating temperature | -65/+165 | ° C |
| Hermetic seal | NA | Atm.cm3/s |
| Panel leakage | NA | |

Issue : 0237 J

In the effort to improve our products, we reserve the right to make changes judged to be necessary.

