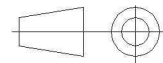
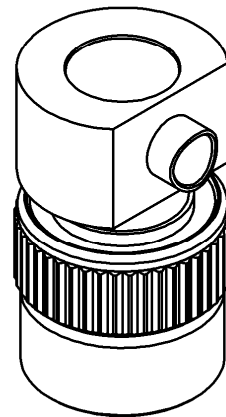
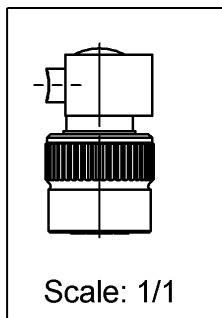
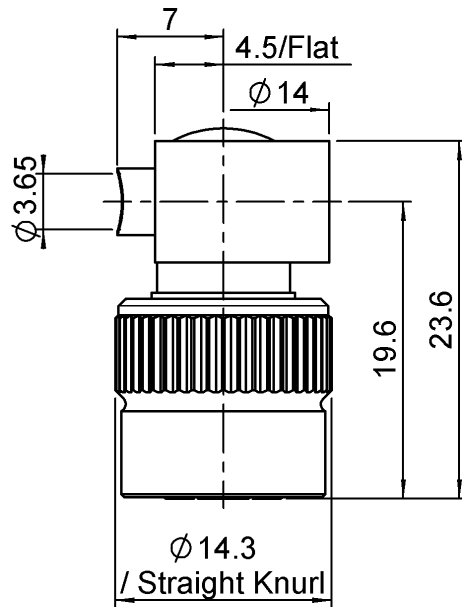


RIGHT ANGLE PLUG SOLDER TYPE

R143.154.100

CABLE .141

Series : TNC



All dimensions are in mm.

COMPONENTS	MATERIALS	PLATING (µm)
BODY	BRASS	NICKEL
CENTER CONTACT	BRASS	GOLD OVER NICKEL
OUTER CONTACT	-	
INSULATOR	PTFE	
GASKET	SILICONE RUBBER	
OTHERS PARTS	BRASS	NICKEL
-	-	-
-	-	-

Issue : 1035 A

In the effort to improve our products, we reserve the right to make changes judged to be necessary.



RIGHT ANGLE PLUG SOLDER TYPE

R143.154.100

CABLE .141

Series : TNC

PACKAGING

Standard	Unit	Other
100	'W' option	Contact us

SPECIFICATION

ELECTRICAL CHARACTERISTICS

Impedance		50 Ω
Frequency		0-11 GHz
VSWR	1.3* +	0,0000 x F(GHz) Maxi
Insertion loss		0.06 √F(GHz) dB Maxi
RF leakage	- (NA - F(GHz)) dB Maxi
Voltage rating		500 Veff Maxi
Dielectric withstanding voltage		1500 Veff mini
Insulation resistance		5000 MΩ mini

CABLE ASSEMBLY

Stripping	a	b	c	d	e	f
mm	4,20	6,50	0,00	0,00	0,00	0,00

Assembly instruction : **SOLDER 01**

Recommended repere
 cable(s)desnor
 RG 402
 KS 2
 BELN 1673A
 HC80000-3
 SUCOFORM 141
 SHF3.9M

Characteristics indicated on this data sheet are those that can be achieved with the highest performance cable. Intrinsic limitations of the cable may diminish the performance of the assembly

Cable retention

- pull off N mini
 - torque N.cm

MECHANICAL CHARACTERISTICS

Center contact retention		
Axial force – Mating end	10	N mini
Axial force – Opposite end	10	N mini
Torque	NA	N.cm mini

Recommended torque		
Mating	NA	N.cm
Panel nut	NA	N.cm
Clamp nut	NA	N.cm
A/F clamp nut	0,0000	mm

Mating life	500	Cycles mini
Weight	7,8190	g

TOOLING

Part Number	Description	Hexagon
.	.	.

ENVIRONMENTAL

Operating temperature	-65/+105	° C
Hermetic seal	NA	Atm.cm3/s
Panel leakage	NA	

OTHER CHARACTERISTICS

*from 0-4GHz

Issue : 1035 A

In the effort to improve our products, we reserve the right to make changes judged to be necessary.

