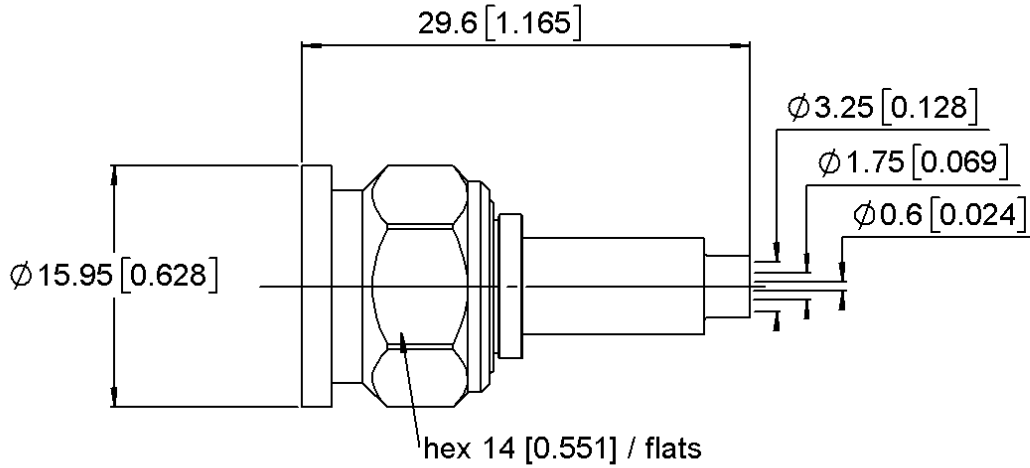
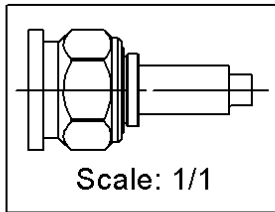
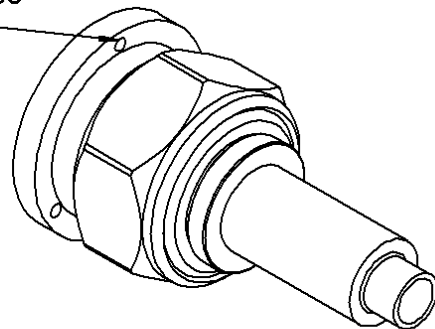


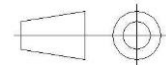
PAGE 1/2	ISSUE 21-03-18A	SERIES TNC	PART NUMBER R143075050
----------	-----------------	------------	------------------------



(3) Ø0.95 [0.037] holes at 120° apart



All dimensions are in mm. Tolerances according ISO 2768 m-H



COMPONENTS	MATERIALS	PLATING (µm)
Body	<b>BRASS.</b>	<b>NICKEL</b>
Center contact	<b>BRASS.</b>	<b>GOLD OVER NICKEL</b>
Outer contact		
Insulator	<b>PTFE</b>	
Gasket	<b>SILICONE RUBBER</b>	
Others parts	<b>BRASS.</b>	<b>NICKEL</b>
-	-	-
-	-	-

PAGE <b>2/2</b>	ISSUE <b>21-03-18A</b>	SERIES <b>TNC</b>	<b>PART NUMBER R143075050</b>
-----------------	------------------------	-------------------	-------------------------------

**PACKAGING**

Standard	Unit	Other
<b>100</b>	<b>Contact us</b>	<b>Contact us</b>

**ELECTRICAL CHARACTERISTICS**

Impedance	<b>50</b>	Ω
Frequency	<b>0-11</b>	GHz
VSWR	<b>1.30 + 0.0000</b>	x F(GHz) Maxi
Insertion loss	<b>0.06</b>	√F(GHz) dB Maxi
RF leakage	- ( <b>57</b> )	- F(GHz)) dB Maxi
Voltage rating	<b>335</b>	Veff Maxi
Dielectric withstanding voltage	<b>1000</b>	Veff mini
Insulation resistance	<b>5000</b>	MΩ mini

**MECHANICAL CHARACTERISTICS**

Center contact retention		
Axial force – Mating End	<b>27</b>	N mini
Axial force – Opposite end	<b>27</b>	N mini
Torque	<b>N/A</b>	N.cm mini
Recommended torque		
Mating	<b>22.6</b>	N.cm
Panel nut	<b>N/A</b>	N.cm
Clamp nut	<b>N/A</b>	N.cm
A/F clamp nut	<b>0.0000</b>	mm
Mating life	<b>500</b>	Cycles mini
Weight	<b>12.9100</b>	g

**ENVIRONMENTAL**

Operating temperature	<b>-65/+165</b>	°C
Hermetic seal	<b>N/A</b>	Atm.cm3/s
Panel leakage	<b>N/A</b>	

**SPECIFICATION**

**CABLE ASSEMBLY**

Stripping	a	b	c	d	e	f
mm	<b>4.5</b>	<b>11</b>	<b>18.5</b>	<b>0</b>	<b>14</b>	<b>0</b>

Assembly instruction: **Crimp 03**

Recommended cable(s)

- KX 3B**
- RG 174 FTX**
- RG 174**
- RG 188**
- RG 316**
- ECO 316**
- K02252D**
- RG-316DS**

Characteristics indicated on this data sheet are those that can be achieved with the highest performance cable. Intrinsic limitations of the cable may diminish the performance of the assembly

Cable retention

- pull off \* N mini
- torque **N/A** N.cm

**TOOLING**

Part Number	Description	Hexagon
R282223000	CRIMPING TOOL	1.73, 5.41
R282235011	CRIMPING DIES M22520/5-11	1.73, 5.41
R282293000	CRIMPING TOOL M22520/5-01	

**OTHER CHARACTERISTICS**

- \***40N for 2.6/50S**
- \***110N for 2.6/50D**