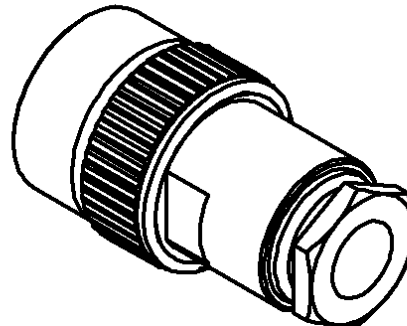
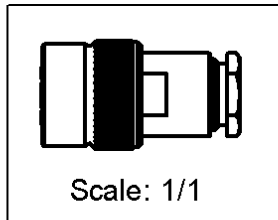
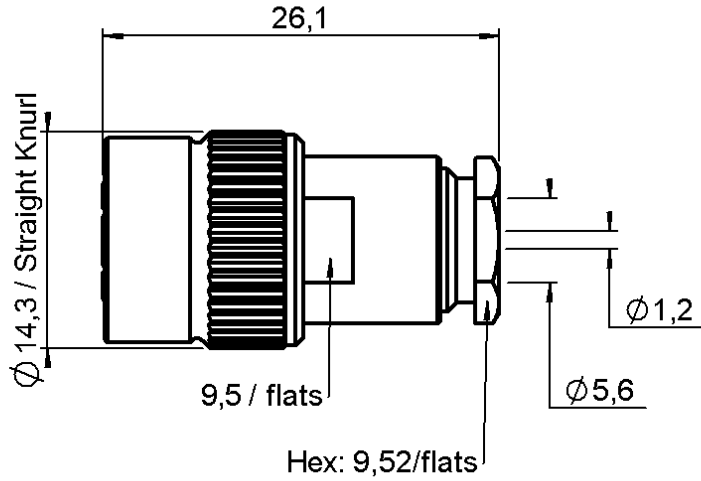
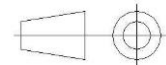


PAGE 1/2	ISSUE 08-02-23B	SERIES TNC-COM	PART NUMBER R143007161
----------	--------------------	----------------	------------------------



All dimensions are in mm.



COMPONENTS	MATERIALS	PLATING (μm)
Body	BRASS	NICKEL
Center contact	BRASS	GOLD OVER NICKEL
Outer contact	-	-
Insulator	POLYPROPYLENE	
Gasket	SILICONE RUBBER	
Others parts	BRASS	NICKEL
-	-	-
-	-	-

PAGE 2/2	ISSUE 08-02-23B	SERIES TNC-COM	PART NUMBER R143007161
-----------------	---------------------------	-----------------------	-------------------------------

PACKAGING

Standard	Unit	Other
100	Contact us	Contact us

ELECTRICAL CHARACTERISTICS

Impedance		50	Ω
Frequency		0-1.5	GHz
VSWR	NA +	0	x F(GHz) Maxi
Insertion loss		NA	√F(GHz) dB Maxi
RF leakage	- (NA	- F(GHz)) dB Maxi
Voltage rating		500	Veff Maxi
Dielectric withstanding voltage		1500	Veff mini
Insulation resistance		5000	MΩ mini

MECHANICAL CHARACTERISTICS

Center contact retention			
Axial force – Mating End		NA	N mini
Axial force – Opposite end		NA	N mini
Torque		NA	N.cm mini
Recommended torque			
Mating		22.6	N.cm
Panel nut		NA	N.cm
Clamp nut		150	N.cm
A/F clamp nut		9,5	mm
Mating life	100		Cycles mini
Nominal Weight (Add +15% for max weight)	13,3		g

ENVIRONMENTAL

Operating temperature	-35/+70	°C
Hermetic seal	NA	Atm.cm3/s
Panel leakage	NA	

SPECIFICATION

CABLE ASSEMBLY

Stripping	a	b	c	d	e	f
mm	2,5	7	0	0	3	0

Assembly instruction: **Clamp 03**

Recommended cable(s)

- RG 141**
- RG 58**
- KX 15**

Characteristics indicated on this data sheet are those that can be achieved with the highest performance cable. Intrinsic limitations of the cable may diminish the performance of the assembly

Cable retention

- pull off	180	N mini
- torque	NA	N.cm

TOOLING

Part Number	Description	Other
.	.	.

OTHER CHARACTERISTICS

-