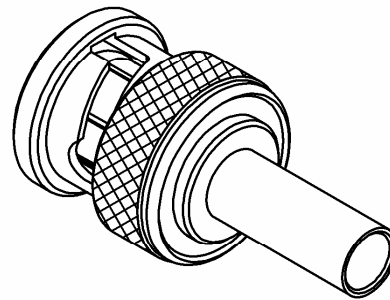
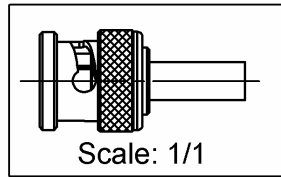
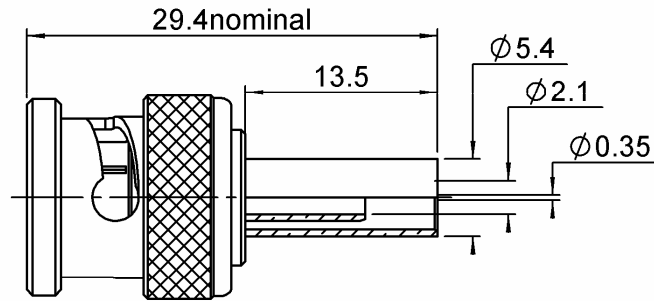


STRAIGHT PLUG CRIMP TYPE

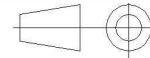
FOR CABLE 3.6/75D

R142A.081.130

Series : **ECO BNC 75**



All dimensions are in mm.



COMPONENTS	MATERIALS	PLATING (µm)
BODY	BRASS	NICKEL
CENTER CONTACT	BRASS	GOLD
OUTER CONTACT		
INSULATOR	PTFE	
GASKET		
OTHERS PARTS	BRASS	NICKEL
-	-	-
-	-	-

Issue : 0939 A

In the effort to improve our products, we reserve the right to make changes judged to be necessary.



STRAIGHT PLUG CRIMP TYPE

R142A.081.130

FOR CABLE 3.6/75D

Series : **ECO BNC 75**

PACKAGING

Standard	Unit	Other
100	'W' option	Contact us

SPECIFICATION

ELECTRICAL CHARACTERISTICS

Impedance	75	Ω
Frequency	0-1	GHz
VSWR	1.3 + 0.0000	x F(GHz) Maxi
Insertion loss	0.2	\sqrt{F} (GHz) dB Maxi
RF leakage	- (NA)	- F(GHz)) dB Maxi
Voltage rating	500	Veff Maxi
Dielectric withstanding voltage	1500	Veff mini
Insulation resistance	5000	M Ω mini

CABLE ASSEMBLY

Stripping	a	b	c	d	e	f
mm	4.00	8.50	15.0	0.00	11.0	0.00

Assembly instruction : **Crimp 02**

Recommended cable(s)
BT3002
POPE 46431

Characteristics indicated on this data sheet are those that can be achieved with the highest performance cable. Intrinsic limitations of the cable may diminish the performance of the assembly

Cable retention

- pull off **150** N mini
- torque **NA** N.cm

MECHANICAL CHARACTERISTICS

Center contact retention		
Axial force – Mating end	27	N mini
Axial force – Opposite end	27	N mini
Torque	NA	N.cm mini

TOOLING

Part Number	Description	Hexagon
R282.265.002	CRIMPING DIES Q92435	1.46-4.52

Recommended torque		
Mating	NA	N.cm
Panel nut	NA	N.cm
Clamp nut	NA	N.cm
A/F clamp nut	0.0000	mm

Mating life	100	Cycles mini
Weight	9.5	g

OTHER CHARACTERISTICS

ENVIRONMENTAL

Operating temperature	-40/+85	$^{\circ}$ C
Hermetic seal	NA	Atm.cm3/s
Panel leakage	NA	

Issue : 0939 A

In the effort to improve our products, we reserve the right to make changes judged to be necessary.

