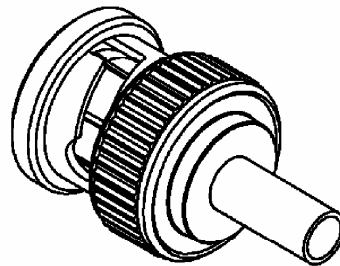
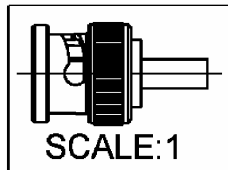
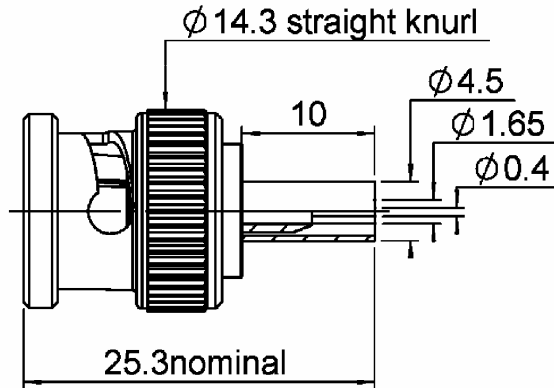


STRAIGHT PLUG CRIMP TYPE

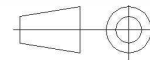
R142A.076.161

FOR CABLE 2.6/75S

Series : **ECO BNC 75**



All dimensions are in mm.



COMPONENTS	MATERIALS	PLATING (µm)
BODY	BRASS	NICKEL
CENTER CONTACT	BRASS	GOLD
OUTER CONTACT		
INSULATOR	PTFE	
GASKET		
OTHERS PARTS	BRASS	NICKEL
-	-	-
-	-	-

Issue : 0909 A

In the effort to improve our products, we reserve the right to make changes judged to be necessary.



STRAIGHT PLUG CRIMP TYPE

R142A.076.161

FOR CABLE 2.6/75S

Series : **ECO BNC 75**

PACKAGING

Standard	Unit	Other
100	'W' option	Contact us

SPECIFICATION

ELECTRICAL CHARACTERISTICS

Impedance		75 Ω
Frequency		0-1 GHz
VSWR	1.3 +	0.00 x F(GHz) Maxi
Insertion loss		0.2 √F(GHz) dB Maxi
RF leakage	- (NA - F(GHz)) dB Maxi
Voltage rating		335 Veff Maxi
Dielectric withstanding voltage		1000 Veff mini
Insulation resistance		5000 MΩ mini

CABLE ASSEMBLY

Stripping	a	b	c	d	e	f
mm	4.00	6.80	13.0	0.00	9.00	0.00

Assembly instruction : **Crimp 01**

Recommended cable(s)
CAE HD 03140
RG 179

Characteristics indicated on this data sheet are those that can be achieved with the highest performance cable. Intrinsic limitations of the cable may diminish the performance of the assembly

Cable retention

- pull off **40** N mini
- torque **NA** N.cm

MECHANICAL CHARACTERISTICS

Center contact retention		
Axial force – Mating end		10 N mini
Axial force – Opposite end		10 N mini
Torque		NA N.cm mini

Recommended torque		
Mating		NA N.cm
Panel nut		NA N.cm
Clamp nut		NA N.cm
A/F clamp nut		0.00 mm

Mating life		100 Cycles mini
Weight		10.00 g

TOOLING

Part Number	Description	Hexagon
R282.293.000	CRIMPING TOOL M22520/5-01	
R282.235.037	CRIMPING DIES	3.84

OTHER CHARACTERISTICS

ENVIRONMENTAL

Operating temperature		-40/+85 ° C
Hermetic seal		NA Atm.cm3/s
Panel leakage		NA

Issue : 0909 A

In the effort to improve our products, we reserve the right to make changes judged to be necessary.

