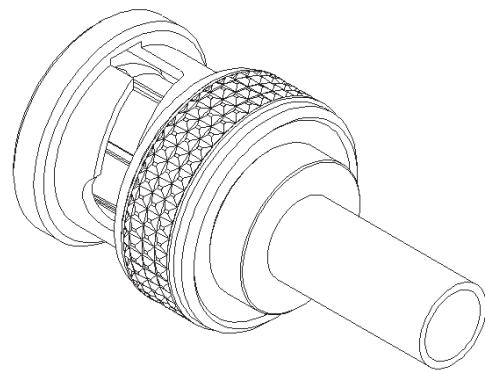
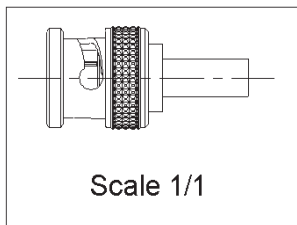
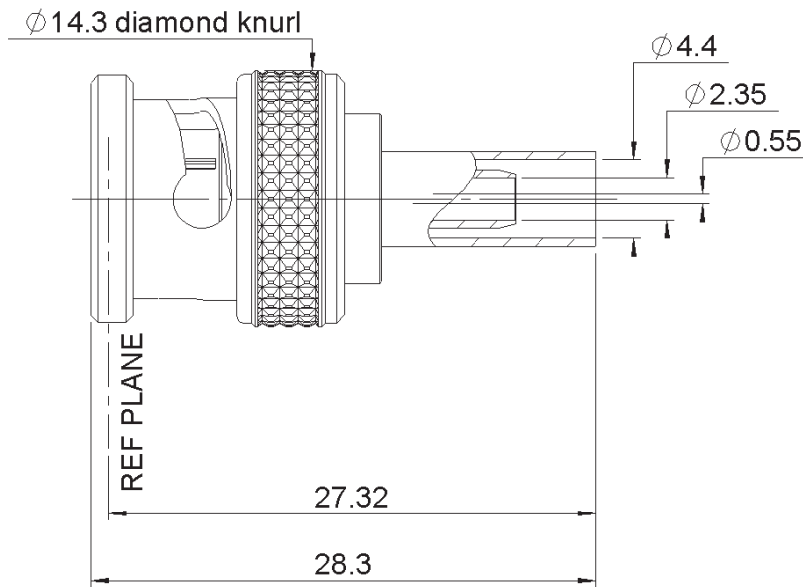
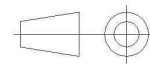


PAGE 1/2	ISSUE 1331E	SERIES <b>BNC 75</b>	PART NUMBER <b>R142081140</b>
----------	-------------	----------------------	-------------------------------



All dimensions are in mm.



COMPONENTS	MATERIALS	PLATING ( $\mu\text{m}$ )
Body	<b>BRASS</b>	<b>NICKEL</b>
Center contact	<b>BRASS</b>	<b>GOLD OVER NICKEL</b>
Outer contact	<b>BRASS</b>	<b>NICKEL</b>
Insulator	<b>POLYPROPYLENE</b>	
Gasket	<b>SILICONE RUBBER</b>	
Others parts	<b>BRASS</b>	<b>NICKEL</b>
-	-	-
-	-	-

PAGE 2/2	ISSUE 1331E	SERIES BNC 75	PART NUMBER R142081140
----------	-------------	---------------	------------------------

**PACKAGING**

Standard	Unit	Other
1	Contact us	Contact us

**ELECTRICAL CHARACTERISTICS**

Impedance	75	Ω
Frequency	0-1.5	GHz
VSWR	1.30 + 0.0000	x F(GHz) Maxi
Insertion loss	0.115	√F(GHz) dB Maxi
RF leakage	- ( 57	- F(GHz)) dB Maxi
Voltage rating	500	Veff Maxi
Dielectric withstanding voltage	1500	Veff mini
Insulation resistance	5000	MΩ mini

**MECHANICAL CHARACTERISTICS**

Center contact retention		
Axial force – Mating End	27	N mini
Axial force – Opposite end	27	N mini
Torque	NA	N.cm mini
Recommended torque		
Mating	NA	N.cm
Panel nut	NA	N.cm
Clamp nut	NA	N.cm
A/F clamp nut	0.0000	mm
Mating life	500	Cycles mini
Weight	8.6510	g

**ENVIRONMENTAL**

Operating temperature	-65/+165	°C
Hermetic seal	NA	Atm.cm3/s
Panel leakage	NA	

**SPECIFICATION**

**CABLE ASSEMBLY**

Stripping	a	b	c	d	e	f
mm	4	8.5	15	0	11	0

Assembly instruction: **Crimp 02**

Recommended cable(s)

**MC 75-39**  
**L910/39**

Characteristics indicated on this data sheet are those that can be achieved with the highest performance cable. Intrinsic limitations of the cable may diminish the performance of the assembly

Cable retention

- pull off	150	N mini
- torque	NA	N.cm

**TOOLING**

Part Number	Description	Hexagon
R282281000	CRIMPING TOOL	2x4 pts (pos.7 or 8)
R282968020	POSITIONER FOR CRIMPING TOOL	
R282211000	CRIMPING TOOL	4.52
R282293000	CRIMPING TOOL M22520/5-01	-
R282235903	CRIMPING DIES	4.52
R282287000	CRIMPING TOOL Q92316	
R282265002	CRIMPING DIES Q92435	4.52

**OTHER CHARACTERISTICS**

-