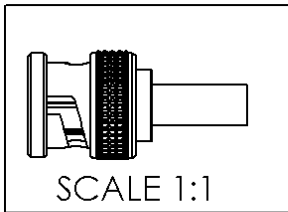
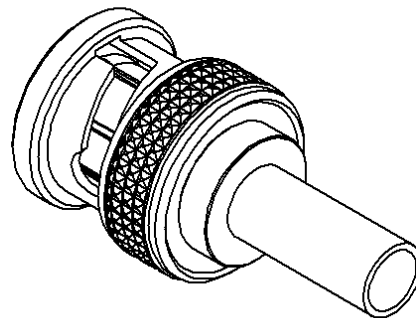
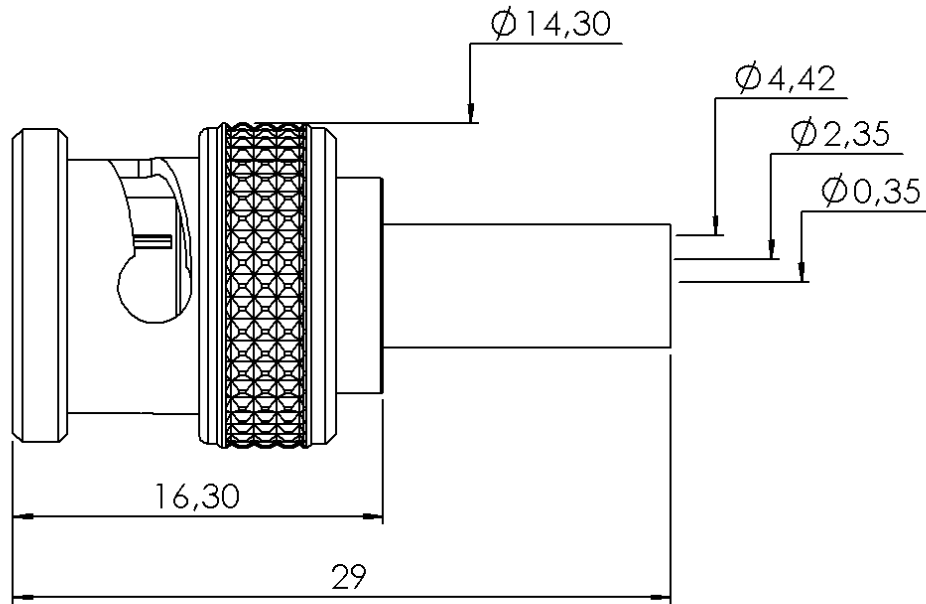


STRAIGHT PLUG CRIMP TYPE CABLE 3.6/75 D

R142.081.130

PACKAGING PER 100

Series : **BNC 75**



All dimensions are in mm.



| COMPONENTS | MATERIALS | PLATINGS (μm) |
|----------------|---------------------|----------------------------|
| BODY | BRASS | NICKEL 2 |
| CENTER CONTACT | BRASS | .GOLD 1.5 OVER NICKEL 2 |
| OUTER CONTACT | BRASS | NICKEL 2 |
| INSULATOR | WHITE POLYPROPYLENE | |
| GASKET | - | |
| OTHERS PARTS | BRASS | NICKEL 2 |
| - | - | - |
| - | - | - |

Issue : 0747 H

In the effort to improve our products, we reserve the right to make changes judged to be necessary.



STRAIGHT PLUG CRIMP TYPE CABLE 3.6/75 D

R142.081.130

PACKAGING PER 100

Series : **BNC 75**

PACKAGING

| Standard | Unit | Other |
|------------|------|-------------------|
| 100 | - | Contact us |

SPECIFICATION

RC5213 G 00

ELECTRICAL CHARACTERISTICS

| | | |
|---------------------------------|---------------|------------------------------|
| Impedance | | 75 Ω |
| Frequency | | 0-1.5 GHz |
| VSWR | 1.30 + | 0,0000 x F(GHz) Maxi |
| Insertion loss | | 0.115 √F(GHz) dB Maxi |
| RF leakage | - (| 57 - F(GHz)) dB Maxi |
| Voltage rating | | 500 Veff Maxi |
| Dielectric withstanding voltage | | 1500 Veff mini |
| Insulation resistance | | 5000 MΩ mini |

CABLE ASSEMBLY

| Stripping | a | b | c | d | e | f |
|-----------|------|------|------|------|------|------|
| mm | 4,00 | 8,50 | 15,0 | 0,00 | 11,0 | 0,00 |

Assembly instruction : **Crimp 02**

Recommended cable(s)
POPE 46431
TZC 750 24
BT3002

Characteristics indicated on this data sheet are those that can be achieved with the highest performance cable. Intrinsic limitations of the cable may diminish the performance of the assembly

Cable retention

- pull off **150** N mini
- torque **NA** N.cm

MECHANICAL CHARACTERISTICS

| | | |
|----------------------------|-----------|-----------|
| Center contact retention | | |
| Axial force – Mating end | 27 | N mini |
| Axial force – Opposite end | 27 | N mini |
| Torque | NA | N.cm mini |

TOOLING

| Part Number | Description | Hexagon |
|--------------|-------------------------|-------------|
| . | . | . |
| R282.265.002 | CRIMPING DIES Q92435 | 1.46 / 4.52 |
| R282.287.000 | CRIMPING TOOL Q92316 | 1.46 |

| | | |
|--------------------|---------------|------|
| Recommended torque | | |
| Mating | NA | N.cm |
| Panel nut | NA | N.cm |
| Clamp nut | NA | N.cm |
| A/F clamp nut | 0,0000 | mm |

| | | |
|-------------|---------------|-------------|
| Mating life | 500 | Cycles mini |
| Weight | 0,0000 | g |

OTHERS CHARACTERISTICS

TRL P/N : 937232Z

ENVIRONMENTAL

| | | |
|-----------------------|-----------------|-----------|
| Operating temperature | -65/+165 | ° C |
| Hermetic seal | NA | Atm.cm3/s |
| Panel leakage | NA | |

Issue : **0747 H**

In the effort to improve our products, we reserve the right to make changes judged to be necessary.

