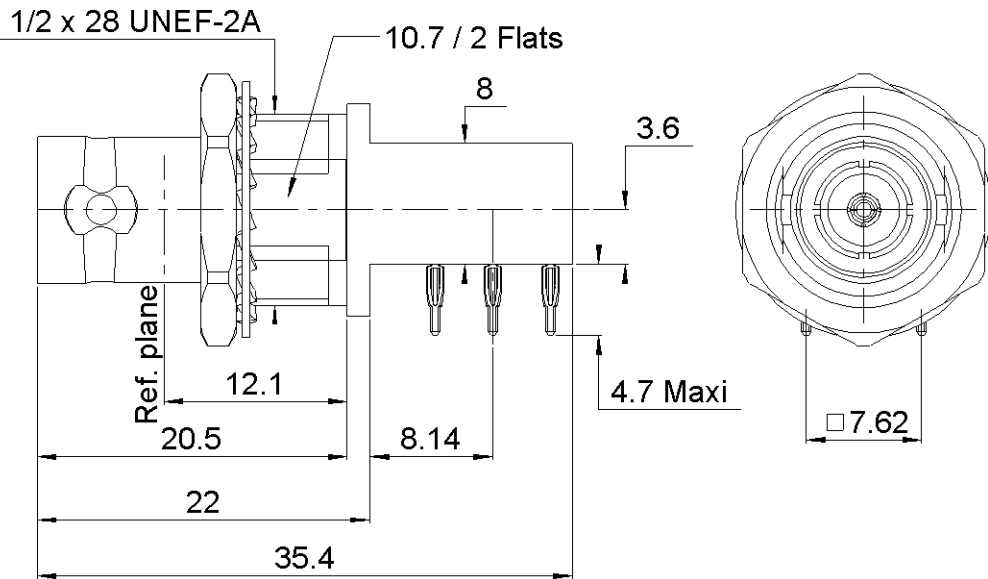
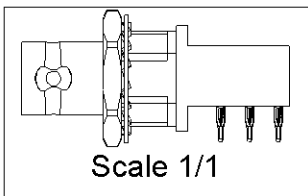


PAGE 1/4	ISSUE 06-05-15D	SERIES BNC	PART NUMBER R141684130
----------	-----------------	------------	------------------------



PANEL CUT OUT

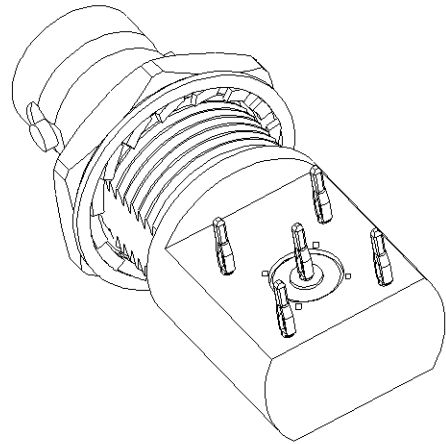
	mm	
	Maxi	mini
A	12.8	12.7
B	10.9	10.8



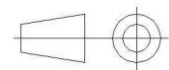
PANEL CUT OUT

Voir P-2/3

	mm	
	Maxi	mini
A	3.835	3.785
B	7.67	7.57



All dimensions are in mm.



COMPONENTS	MATERIALS	PLATING (µm)
Body	BRASS	NICKEL
Center contact	BRASS	GOLD VOER NICKEL
Outer contact	-	-
Insulator	PTFE	-
Gasket	-	-
Others parts	PHOSPHOR BRONZE	TIN OVER NICKEL
-	-	-
-	-	-

PAGE 2/4	ISSUE 06-05-15D	SERIES BNC	PART NUMBER R141684130
----------	------------------------	-------------------	-------------------------------

PACKAGING

Standard	Unit	Other
100	Contact us	Contact us

ELECTRICAL CHARACTERISTICS

Impedance		50	Ω
Frequency		0-4	GHz
VSWR	*1.40	+	0.0000
Insertion loss		*0.30	x F(GHz) Maxi
RF leakage	- (57	\sqrt{F} (GHz) dB Maxi
Voltage rating		500	- F(GHz)) dB Maxi
Dielectric withstanding voltage		1500	Veff Maxi
Insulation resistance		5000	Veff mini
			M Ω mini

MECHANICAL CHARACTERISTICS

Center contact retention			
Axial force – Mating End		18	N mini
Axial force – Opposite end		18	N mini
Torque		NA	N.cm mini
Recommended torque			
Mating		NA	N.cm
Panel nut		370	N.cm
Mating life		500	Cycles mini
Weight		34.9500	g

ENVIRONMENTAL

Operating temperature	-65/+165	$^{\circ}\text{C}$
Hermetic seal	NA	Atm.cm3/s
Panel leakage	NA	

SPECIFICATION

OTHER CHARACTERISTICS

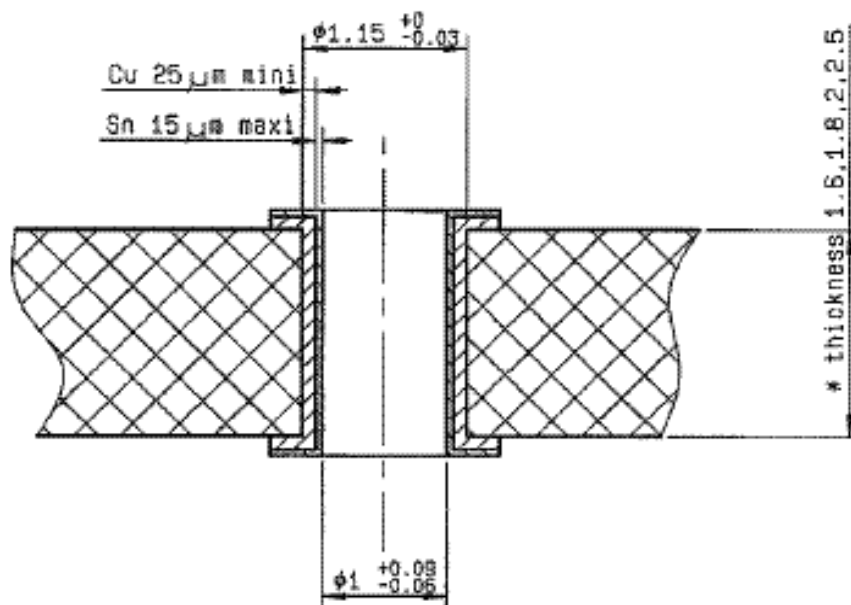
Assembly instruction:

Others:

***Coaxial Transmission Line Only**

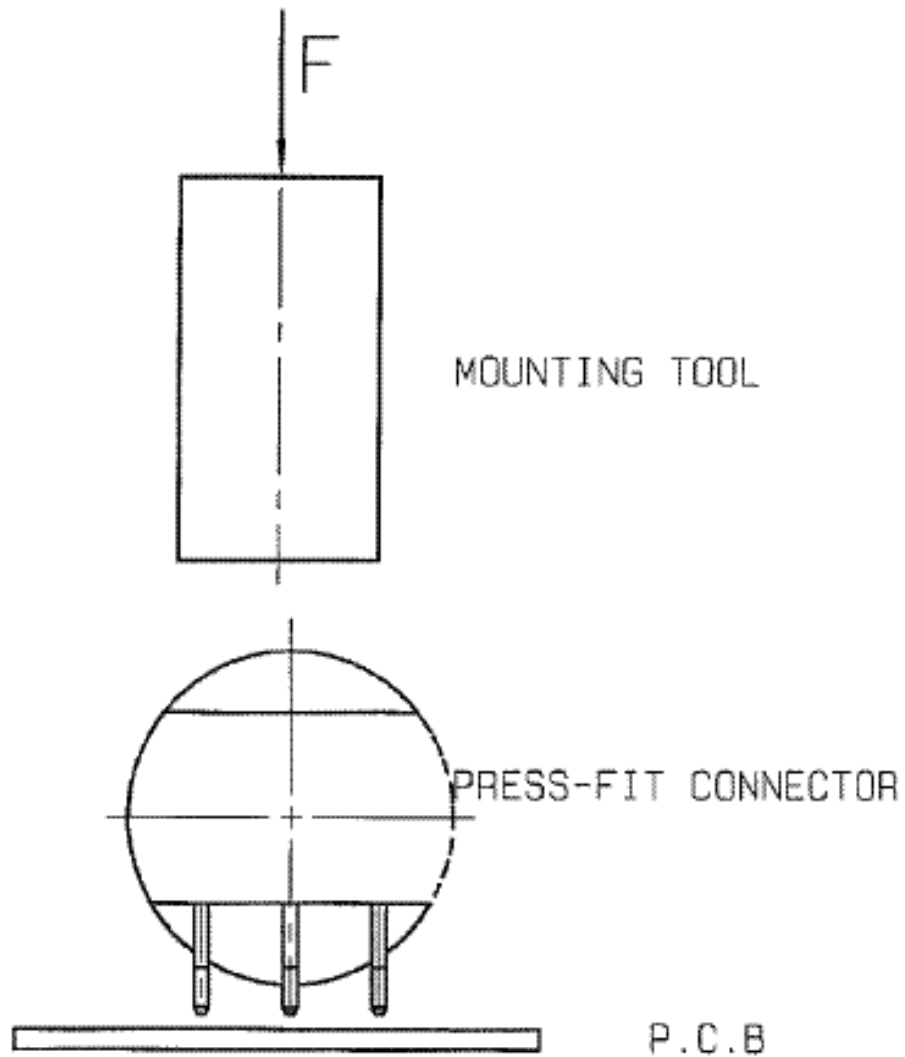
PAGE 3/4	ISSUE 06-05-15D	SERIES BNC	PART NUMBER R141684130
----------	-----------------	------------	------------------------

PC BOARD MATERIAL	GLASS FIBRE EPOXYD NEMA:G10,G11,FR4,FR5 DIN 40802 : EP-GC 01 , EP-GC 02
THICKNESS	1.6 mm *
HOLE	FOR 1mm COMPLIANT PIN
BORE-HOLE	$\phi 1.15 \begin{smallmatrix} +0 \\ -0.03 \end{smallmatrix}$
COPPER	$> 25 \mu\text{m}$
TIN	$< 15 \mu\text{m}$
FINAL DIAMETER	$\phi 1 \begin{smallmatrix} +0.09 \\ -0.06 \end{smallmatrix}$



PAGE 4/4	ISSUE 06-05-15D	SERIES BNC	PART NUMBER R141684130
----------	------------------------	-------------------	-------------------------------

MOUNTING INSTRUCTIONS



PLACE THE MOUNTING TOOL ON PRESS-FIT CONNECTOR AND THIS SUB ASSEMBLY ON THE PANNEL CIRCUIT BOARD , PUSH ON THE TOP (ABOUT 60daN) UNTIL TOTAL INSERTION