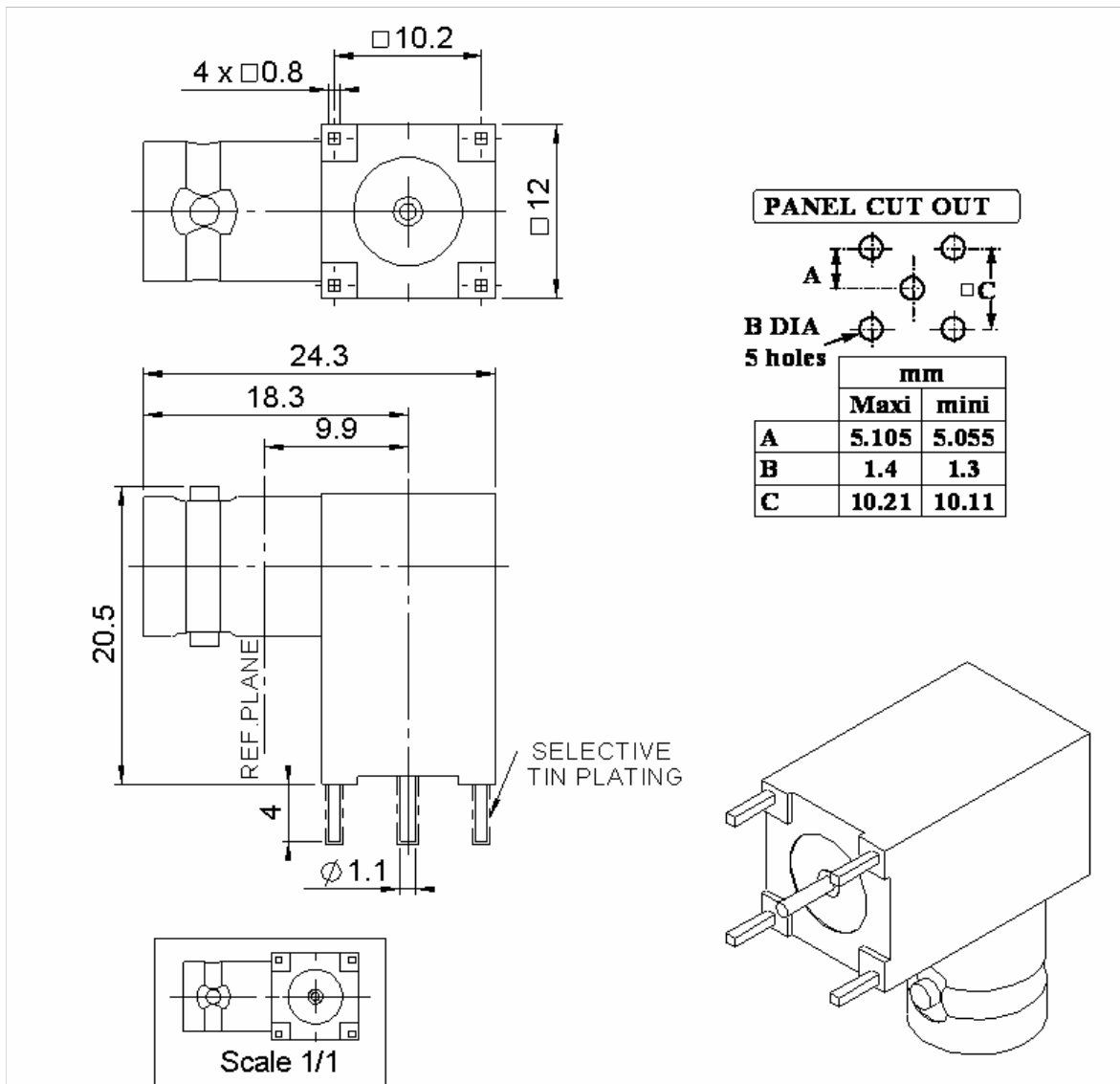


RIGHT ANGLE JACK RECEPTACLE FOR PCB

R141.665.030

SOLDER LEGS

Series : BNC-COM



All dimensions are in mm.

COMPONENTS	MATERIALS	PLATING (µm)
BODY	BRASS	NICKEL
CENTER CONTACT	BRASS	GOLD OVER NICKEL
OUTER CONTACT	-	--
INSULATOR	PTFE	--
GASKET	-	--
OTHERS PARTS	-	--
-	-	--
-	-	--

Issue : 1126 D

In the effort to improve our products, we reserve the right to make changes judged to be necessary.



RIGHT ANGLE JACK RECEPTACLE FOR PCB

R141.665.030

SOLDER LEGS

Series : **BNC-COM**

PACKAGING

SPECIFICATION

Standard	Unit	Other
100	'W' option	Contact us

ELECTRICAL CHARACTERISTICS

ENVIRONMENTAL

Impedance	50	Ω
Frequency	0-1.5	GHz
VSWR	1.10 + 0,0000	x F(GHz) Maxi
Insertion loss	0.1	$\sqrt{F}(\text{GHz})$ dB Maxi
RF leakage	- (57)	- F(GHz)) dB Maxi
Voltage rating	500	Veff Maxi
Dielectric withstanding voltage	1500	Veff mini
Insulation resistance	5000	M Ω mini

Operating temperature	-35/+70	$^{\circ}$ C
Hermetic seal	NA	Atm.cm3/s
Panel leakage	NA	

OTHER CHARACTERISTICS

Assembly instruction **NA**

Others :
Coaxial Transmission Line Only

MECHANICAL CHARACTERISTICS

Center contact retention		
Axial force – Mating end	15	N mini
Axial force – Opposite end	15	N mini
Torque	NA	N.cm mini
Recommended torque		
Mating	NA	N.cm
Panel nut	NA	N.cm
Mating life	100	Cycles mini
Weight	22,1000	g

Issue : 1126 D

In the effort to improve our products, we reserve the right to make changes judged to be necessary.

RADIALL 