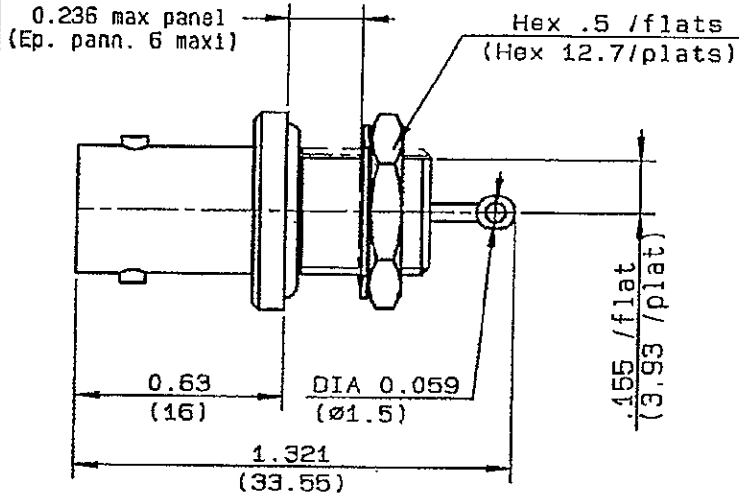
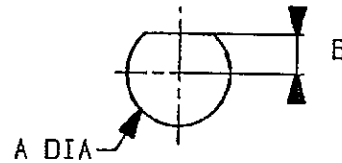


**HERMETICAL BULKEAD REGETABLE
FRONT MOUNT WATERPROOFTYPE**

R141.625.020
SERIES **BNC**



PERCAGE PANNEAU
MOUNTING HOLE



	MM		INCH	
	maxi	mini	maxi	mini
A	9.75	9.65	.384	.380
B	4.04	3.96	.159	.156

NOMINAL IMPEDANCE	50 Ω
FREQUENCY RANGE	0-4 GHz
TEMPERATURE RATING	-65/+165 °C
V.S.W.R	NA + 0 x F(GHz)Maxi
RF INSERTION LOSS	NA \sqrt{F} (GHz) dB Maxi
VOLTAGE RATING	500 Veff Maxi
DIELECTRIC WITHSTANDING VOLTAGE	1500 Veff Mini
INSULATION RESISTANCE	5000 M Ω Mini
HERMETIC SEAL	10-6 Atm.cm ³ /s
LEAKAGE (pressurized only)	
MECHANICAL DURABILITY	500 Cycles
WEIGHT	12 gr

CABLES :

OTHERS CHARACTERISTICS

CABLE RETENTION	NA	N Mini
CENTER CONTACT RETENTION		
Axial force - mating end	18.1	N Mini
Axial force - opposite end	18.1	N Mini
Torque	2.8	cm.N Mini
RECOMMENDED TORQUES		
Mating	NA	cm.N
Panel nut	250	cm.N
Clamp nut	NA	cm.N

CONNECTOR PARTS	MATERIALS	FINISH	(all values are given in micrometers)
BODY	BRASS	NICKEL 2	
OUTER CONTACT			
CENTER CONTACT	BERYLLIUM COPPER	GOLD 1.3 OVER NICKEL 2	
INSULATOR	PTFE	-	
GASKET	SILICONE RUBBER	-	
OTHERS PIECES	BRASS	NICKEL 2	

ISSUE 0621C	CREATION DATE 11-FEB-97	FILE PART-NUMBER 95-0130-147
-----------------------	----------------------------	---------------------------------



RADIALL®

The information given here is subject to change without notice. Design changes may be in order to improve the product.

Connect to the future