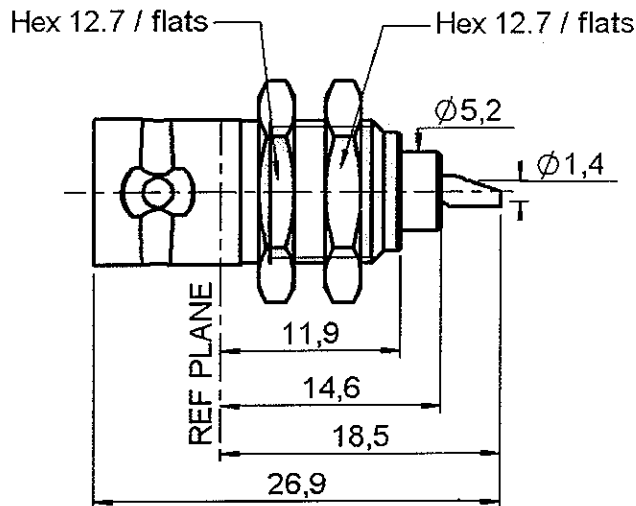


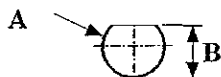
**2 NUTS JACK RECEPTACLE FRONT MOUNTING
WITH SOLDER POT CONTACT**

R141.556.000

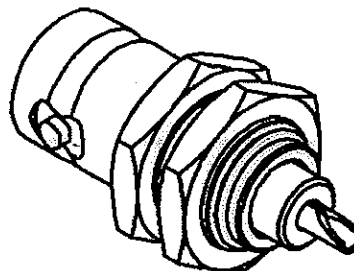
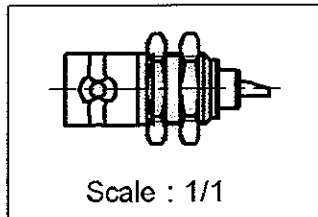
Series : BNC



PANEL CUT OUT



mm		
	Maxi	mini
A	9.75	9.65
B	4.04	3.96



All dimensions are in mm.

COMPONENTS	MATERIALS	PLATING
BODY	BRASS	NICKEL 2 µm
CENTRE CONTACT	BERYLLIUM COPPER	GOLD 0.5 OVER NICKEL 2 µm
OUTER CONTACT	-	- µm
INSULATOR	PTFE	
GASKET	-	
OTHERS PARTS	BRASS	NICKEL 2 µm
-	-	-
-	-	-



Edition : 9913 V

Design changes may be in order to improve the product.

2 NUTS JACK RECEPTACLE FRONT MOUNTING

R141.556.000

WITH SOLDER POT CONTACT

Series : BNC

ELECTRICAL CHARACTERISTICS

Impedance		50 Ω
Frequency		0-4 GHz
VSWR	1.06* +	0.006 x F(GHz) Maxi
Insertion loss		.025* √F(GHz) dB Maxi
RF leakage	- (57 - F(GHz) dB mini
Voltage rating		500 Veff Maxi
Dielectric withstanding voltage		1500 Veff mini
Insulation resistance		5000 MΩ mini

SPECIFICATION

ENVIRONMENTAL

Operating temperature	-65/+165 ° C
Hermetic seal	NA Atm.cm3/s
Leakage – pressurised only	NA Mpa

MECHANICAL CHARACTERISTICS

Centre contact retention		
Axial force – Mating end	18	N mini
Axial force – Opposite end	18	N mini
Torque	2.8	N.cm mini

Recommended torque		
Mating	NA	N.cm
Panel nut	250	N.cm

Mating life	500	Cycles mini
Weight	8.000	g

OTHERS CHARACTERISTICS

Assembly instruction **NA**

Others :
* Coaxial Transmission Line Only

