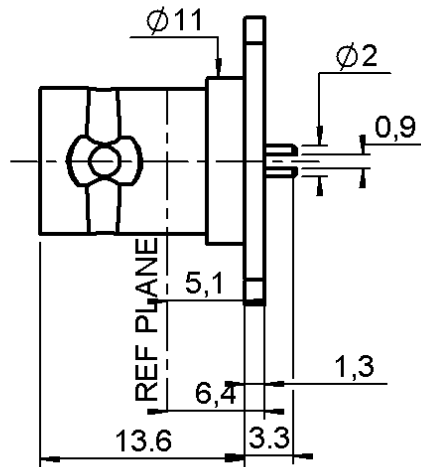
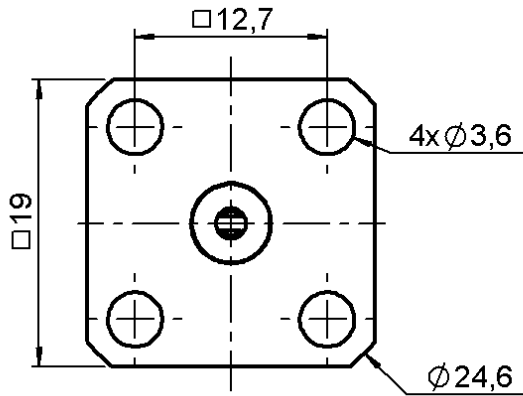


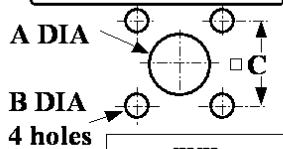
**19MM FEMALE SQUARE FLANGE RECEPTACLE  
WITH SLOTTED CONTACT**

**R141.420.000**

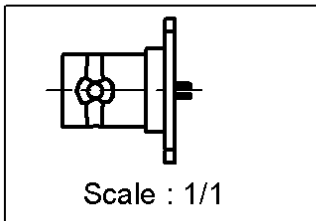
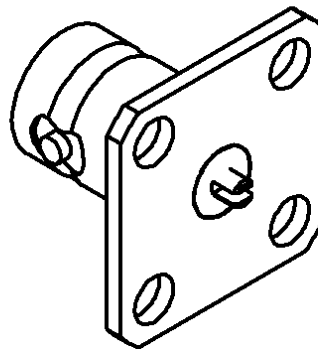
Series : BNC



**PANEL CUT OUT**



	mm	
	Maxi	mini
A	11.3	11.2
B	3.7	3.5
C	12.8	12.6



All dimensions are in mm.



COMPONENTS	MATERIALS	PLATINGS (µm)
BODY	BRASS	NICKEL 2
CENTER CONTACT	BERYLLIUM COPPER	GOLD 0.5 OVER NICKEL 2
OUTER CONTACT	-	-
INSULATOR	PTFE	-
GASKET	-	-
OTHERS PARTS	-	-
-	-	-
-	-	-

Issue : 0629 K

In the effort to improve our products, we reserve the right to make changes judged to be necessary.



**19MM FEMALE SQUARE FLANGE RECEPTACLE  
WITH SLOTTED CONTACT**

**R141.420.000**

Series : BNC

**PACKAGING**

**SPECIFICATION**

Standard	Unit	Other
<b>1</b>	-	<b>Contact us</b>

**ELECTRICAL CHARACTERISTICS**

Impedance	<b>50</b>	$\Omega$
Frequency	<b>0-4</b>	GHz
VSWR	<b>1.06 + 0,0060</b>	x F(GHz) Maxi
Insertion loss	<b>.025*</b>	$\sqrt{F(GHz)}$ dB Maxi
RF leakage	- ( <b>57</b> )	- F(GHz) dB Maxi
Voltage rating	<b>500</b>	Veff Maxi
Dielectric withstanding voltage	<b>1500</b>	Veff mini
Insulation resistance	<b>5000</b>	M $\Omega$ mini

**ENVIRONMENTAL**

Operating temperature	<b>-65/+165</b>	$^{\circ}$ C
Hermetic seal	<b>NA</b>	Atm.cm3/s
Panel leakage	<b>NA</b>	

**OTHERS CHARACTERISTICS**

Assembly instruction **NA**

Others :

\* Coaxial Transmission Line Only

**MECHANICAL CHARACTERISTICS**

Center contact retention		
Axial force – Mating end	<b>18</b>	N mini
Axial force – Opposite end	<b>NA</b>	N mini
Torque	<b>2.8</b>	N.cm mini
Recommended torque		
Mating	<b>NA</b>	N.cm
Panel nut	<b>NA</b>	N.cm
Mating life	<b>500</b>	Cycles mini
Weight	<b>10,000</b>	g

Issue : 0629 K

In the effort to improve our products, we reserve the right to make changes judged to be necessary.

