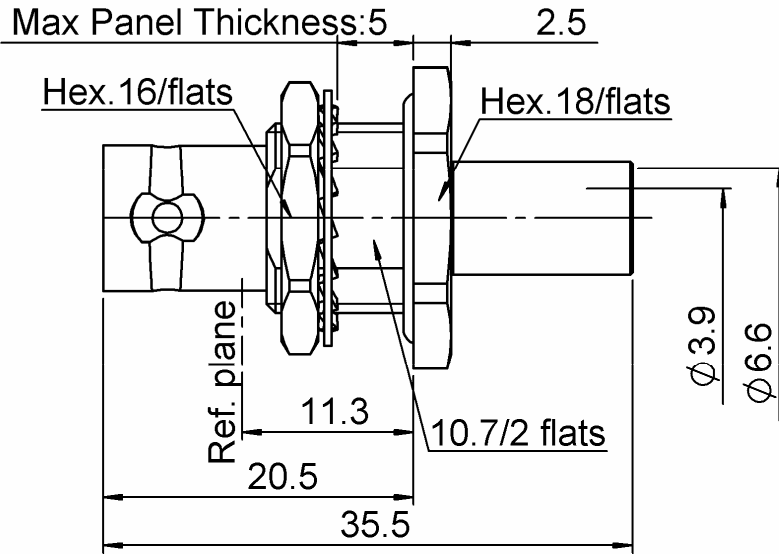


**STRAIGHT BULKHEAD JACK PANEL SEAL**

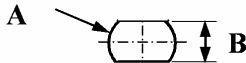
**R141.334.500**

**FOR CABLE 6/75+93**

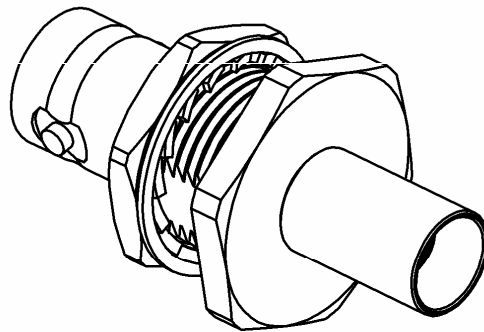
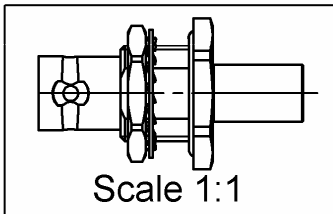
Series : BNC



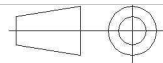
**PANEL CUT OUT**



	mm	
	Maxi	mini
A	12.8	12.7
B	10.9	10.8



All dimensions are in mm.



COMPONENTS	MATERIALS	PLATING (µm)
BODY	BRASS	NICKEL
CENTER CONTACT	BERYLLIUM COPPER	GOLD OVER NICKEL
OUTER CONTACT	-	-
INSULATOR	PTFE	-
GASKET	SILICONE RUBBER	-
OTHERS PARTS	BRASS	NICKEL
-	-	-
-	-	-

Issue : 1135 C

In the effort to improve our products, we reserve the right to make changes judged to be necessary.



**STRAIGHT BULKHEAD JACK PANEL SEAL**

**R141.334.500**

**FOR CABLE 6/75+93**

Series : **BNC**

**PACKAGING**

Standard	Unit	Other
<b>100</b>	-	<b>Contact us</b>

**SPECIFICATION**

**ELECTRICAL CHARACTERISTICS**

Impedance		<b>50</b> Ω
Frequency		<b>0-4</b> GHz
VSWR	<b>NA +</b>	<b>0.0000</b> x F(GHz) Maxi
Insertion loss		<b>NA</b> √F(GHz) dB Maxi
RF leakage	- (	<b>NA</b> - F(GHz)) dB Maxi
Voltage rating		<b>500</b> Veff Maxi
Dielectric withstanding voltage		<b>1500</b> Veff mini
Insulation resistance		<b>5000</b> MΩ mini

**CABLE ASSEMBLY**

Stripping	a	b	c	d	e	f
mm	3.50	9.00	14.0	0.00	10.5	0.00

Assembly instruction : **Crimp02**

Recommended cable(s)

KX 6A

RG 59

RG 62

Characteristics indicated on this data sheet are those that can be achieved with the highest performance cable. Intrinsic limitations of the cable may diminish the performance of the assembly

Cable retention

- pull off **136** N mini  
 - torque **NA** N.cm

**MECHANICAL CHARACTERISTICS**

Center contact retention		
Axial force – Mating end	<b>27</b>	N mini
Axial force – Opposite end	<b>NA</b>	N mini
Torque	<b>NA</b>	N.cm mini

**TOOLING**

Part Number	Description	Hexagon
.	.	.
R282.223.000	CRIMPING TOOL	1.73-6.48
R282.235.013	CRIMPING DIES	1.73-6.48
R282.293.000	CRIMPING TOOL M22520/5-01	-

Recommended torque		
Mating	<b>NA</b>	N.cm
Panel nut	<b>NA</b>	N.cm
Clamp nut	<b>NA</b>	N.cm
A/F clamp nut	<b>0.0000</b>	mm

Mating life	<b>500</b>	Cycles mini
Weight	<b>17.0900</b>	g

**OTHER CHARACTERISTICS**

-

**ENVIRONMENTAL**

Operating temperature	<b>-65/+165</b>	°C
Hermetic seal	<b>NA</b>	Atm.cm3/s
Panel leakage	<b>NA</b>	

Issue : **1135 C**

In the effort to improve our products, we reserve the right to make changes judged to be necessary.

