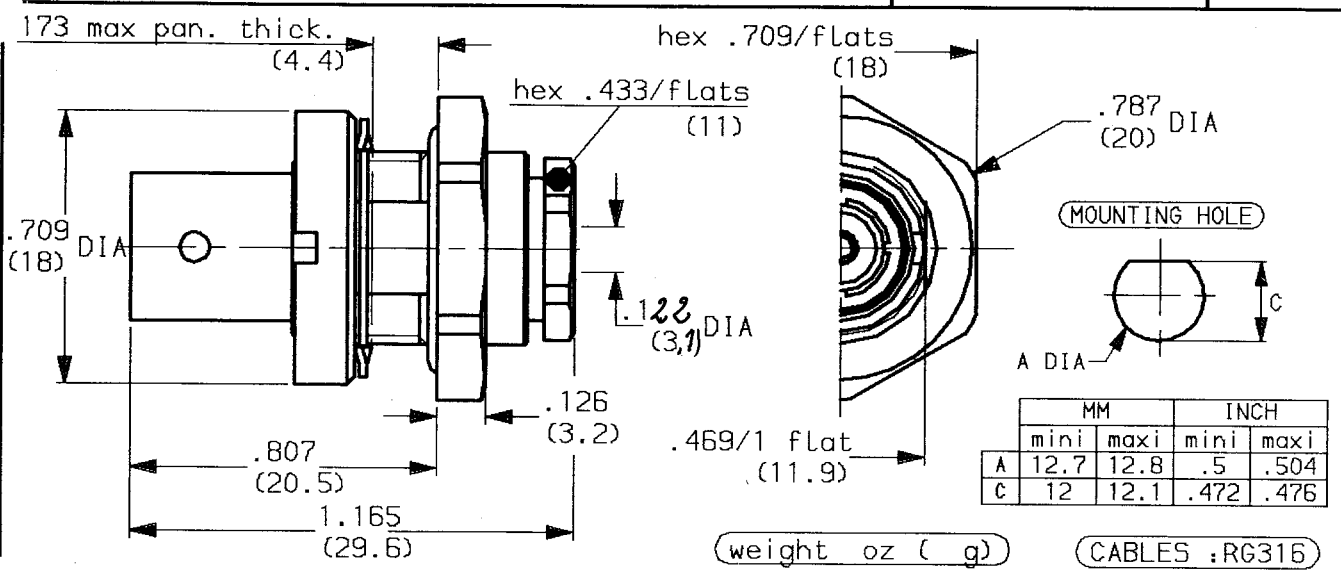


STRAIGHT BULKHEAD JACK-CLAMP WATERPROOF  
PANEL SEAL CABLE 2.6/50

SERIES: BNC 1 / 2



CHARACTERISTICS

NOMINAL IMPEDANCE	50	Ω
FREQUENCY RANGE	0-4	GHz
TEMPERATURE RATING	-65/+165	°C
VSWR	AD	Max
RF INSERTION LOSS	0.115	∫F dB Maxi
VOLTAGE RATING	335	Vrms Maxi
DIELECTRIC WITHSTANDING VOLTAGE	1500	Vrms mini
INSULATION RESISTANCE	5000	Ma mini
HERMETIC SEAL	NA	cc/s - Atm.cm3/s
LEAKAGE (pressurized only)	0,2	psi MPa

STANDARDISATION	CECC 22120/BNC CEI 169-8/BNC MIL STD348-301/BNC NF C93-564/KBN
CABLE RETENTION	8.8 Lb mini 40 N
CENTER CONTACT RETENTION	
Axial force - mating end	5.94 Lb mini 27 N
Axial force - opposite end	5.94 Lb mini 27 N
Torque (Min)	NA Inch.oz - cm.N
RECOMMENDED TORQUES	
Mating	NA Inch.Lb - cm.N
Panel nut	32.745 Inch.Lb 370 cm.N
Clamp nut	39.825 Inch.Lb 450 cm.N

CONSTRUCTION

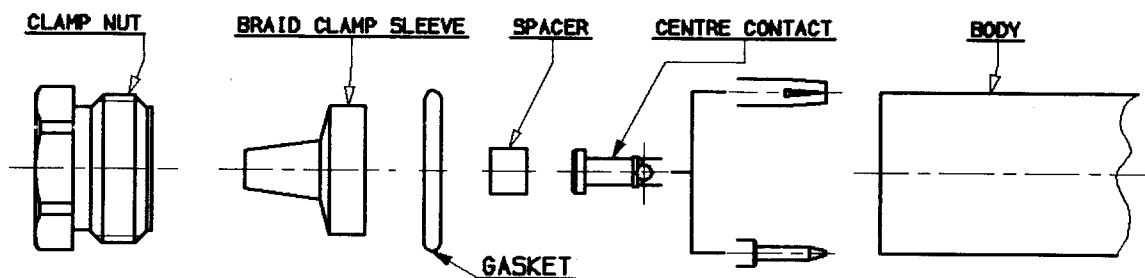
CONNECTOR PARTS	MATERIALS	FINISH
BODY	BRASS	NICKEL
OUTER CONTACT	BRASS	NICKEL
CENTER CONTACT	BERYLLIUM COPPER	GOLD
INSULATORS	PTFE	-
GASKET	SILICONE RUBBER	-
-	-	-
-	-	-
-	-	-
-	-	-

ISSUE	REVISION No	DESCRIPTION	BY	DATE
.	.	.	.	.
.	.	.	.	.
.	95.02.006	DIA. 118 (3) → DIA. 122 (3.1)	RUBINO	02.3.95

Initiated on 12-FEB-92  
perseded on -----

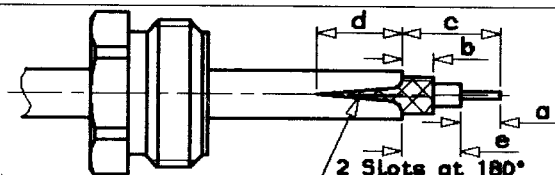
The information given here is subject to change without notice. Design changes may be in order to improve the product.





①

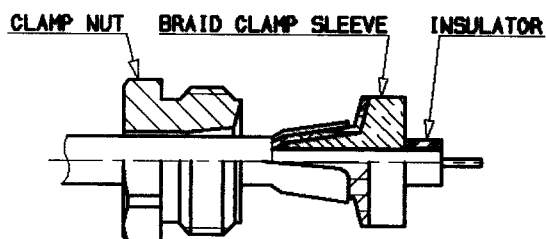
- 1-1 Slide clamp nut onto the cable .
- 1-2 Strip the cable .
- 1-3 Cut the jacket ( 2 Slots )  
apart if necessary.



Stripping	a	b	c	d	e
Inch	.157	.079	.354	-	.197
mm	4	2	9	-	5

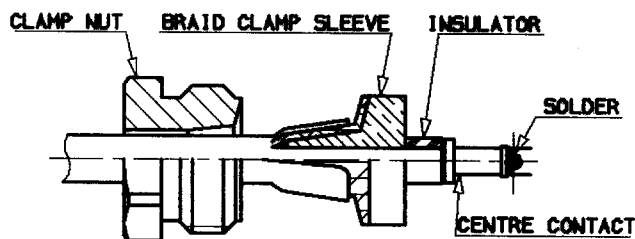
②

- 2-1 Slide the clamp braid sleeve between  
cable dielectric and braid .
- 2-2 Cut the braid flush with the clamp  
braid sleeve .
- 2-3 Slide the spacer .



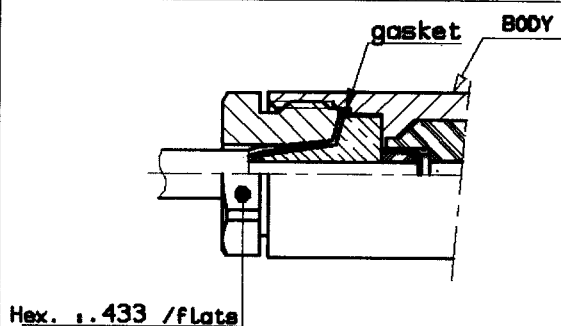
③

- 3-1 Solder the cable inner conductor  
into centre contact .
- 3-2 Slide the back nut over  
the clamp assembly .



④

- 4-1 Slide the gasket into the  
connector body.
- 4-2 Screw sub-assembly into the connector  
body .  
recommended coupling torque  
39.825 in.lb )



Hex. .433 /flat

ISSUE	REVISION No	DESCRIPTION	BY	DATE
.	.	.	.	.
.	.	.	.	.
.	.	.	.	.

Initiated on 13-FEB-92

The information given here is subject to change without notice. Design changes may be made in order to improve the product.



Superseded on -----