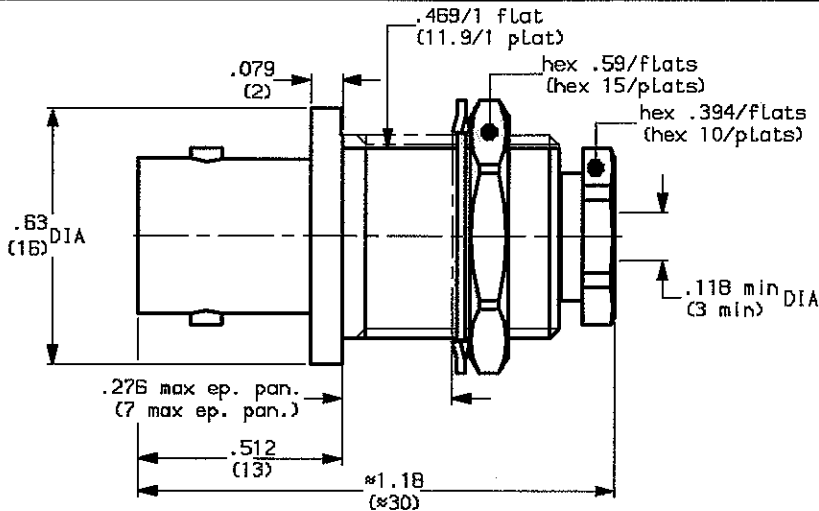


STRAIGHT BULKHEAD CABLE JACK-CLAMP TYPE  
CABLE 2.6/50+75

PEN DEP91.R141.000



WEIGHT oz ( g)

CABLES :RG174-KX22-RG179

	MM		INCH	
	mini	maxi	mini	maxi
A	12.7	12.8	.5	.504
C	12	12.1	.472	.476

CHARACTERISTICS

NOMINAL IMPEDANCE	50 $\Omega$
FREQUENCY RANGE	0-4 GHz
TEMPERATURE RATING	-65/+165 °C
VSWR	AD Max
RF INSERTION LOSS	0.11 $\sqrt{f}$ dB Maxi
VOLTAGE RATING	500 Vrms Maxi
DIELECTRIC WITHSTANDING VOLTAGE	1500 Vrms mini
INSULATION RESISTANCE	5000 Mo mini
HERMETIC SEAL	NA cc/s Atm.cm3/s
LEAKAGE (pressurized only)	NA psi MPa
-	-
-	-

STANDARDISATION	CECC	22120/BNC
	CEI	169-B/BNC
	MIL	STD348-301/BNC
	NF	C93-564/KBN

CABLE RETENTION 24.75 Lb mini  
110 N

CENTER CONTACT RETENTION

Axial force - mating end	6.075 <sub>27</sub> Lb mini N
Axial force - opposite end	6.075 <sub>27</sub> Lb mini N
Torque (Min)	NA Inch.oz cm.N

RECOMMENDED TORQUES

Mating	NA	inch.Lb cm.N
Panel nut	32.782 <sub>370</sub>	inch.Lb cm.N
Clamp nut	13.27 <sub>150</sub>	inch.Lb cm.N

CONSTRUCTION

CONNECTOR PARTS	MATERIALS	FINISH
BODY	BRASS	NICKEL
OUTER CONTACT	BRASS	NICKEL
CENTER CONTACT	BERYLLIUM COPPER	GOLD
INSULATORS	PTFE	-
GASKET	SILICON	-
SCREW NUT	BRASS	NICKEL
COUPLING NUT	BRASS	NICKEL
-	-	-
-	-	-

ISSUE	REVISION No	DESCRIPTION	BY	DATE
.	.	.	.	.
.	.	.	.	.
.	.	.	.	.
.	.	.	.	.

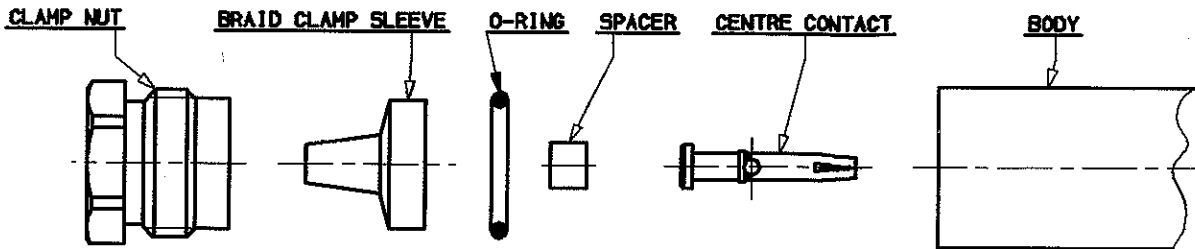
Initiated on 27-FEB-91

The information given here is subject to change without notice. Design changes may be in order to improve the product.

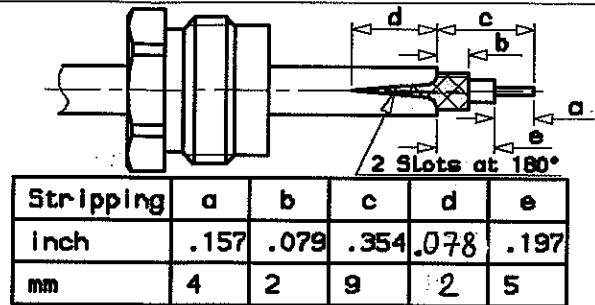


Superseded on

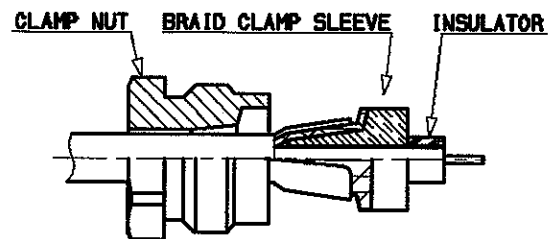
STRAIGHT BULKHEAD CABLE JACK-CLAMP TYPE  
CABLE 2.6/50+75



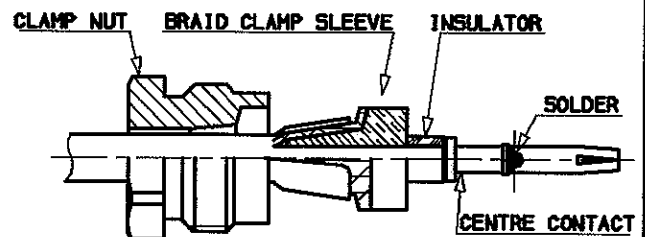
- ①
- 1-1 Slide clamp nut onto the cable .
  - 1-2 Strip the cable .
  - 1-3 Cut the jacket ( 2 Slots )  
apart if necessary.



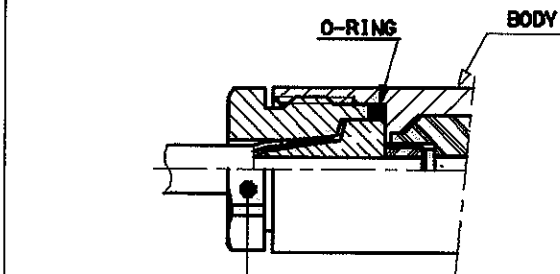
- ②
- 2-1 Slide the clamp braid sleeve between  
cable dielectric and braid .
  - 2-2 Cut the braid flush with the clamp  
braid sleeve .
  - 2-3 Slide the spacer .



- ③
- 3-1 Solder the cable inner conductor  
into centre contact .
  - 3-2 Slide the back nut over  
the clamp assembly .



- ④
- 4-1 Screw sub-assembly into the connector  
body .  
recommended coupling torque  
(3.27 in.lb )



Hex. .394 / flats

ISSUE	REVISION No	DESCRIPTION	BY	DATE
.	.	.	.	.
.	.	.	.	.
.	.	.	.	.

Initiated on 27 Feb 91  
Superseded on \_\_\_\_\_

The information given here is subject to change without notice. Design changes may be in order to improve the product.

