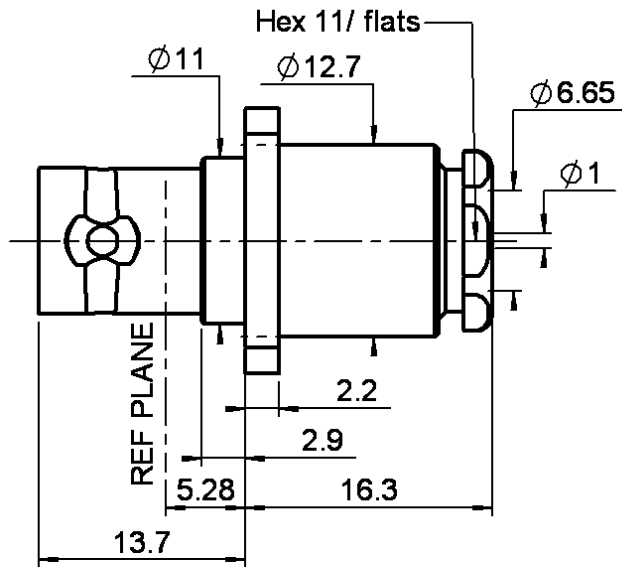
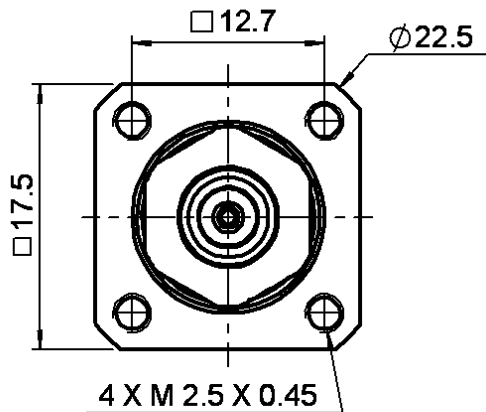


STRAIGHT SQUARE FLANGE JACK

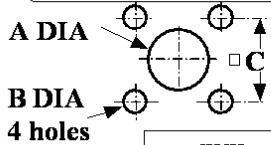
R141.262.000

CLAMP TYPE - CABLE 6/75+93 S

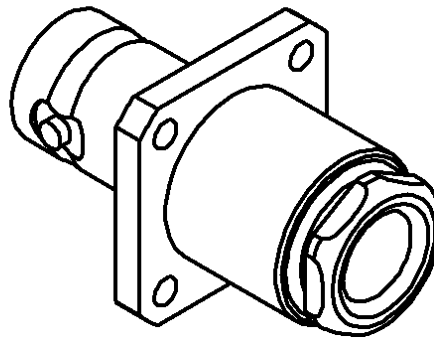
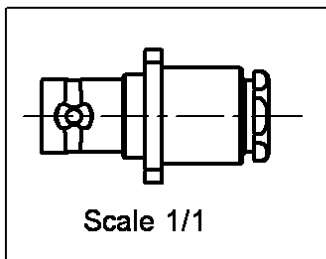
Series : BNC



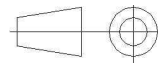
PANEL CUT OUT



	mm	
	Maxi	mini
A (R. Mount)	13	12.9
A (F. Mount)	11.3	11.2
B	2.7	2.6
C	12.75	12.65



All dimensions are in mm.



COMPONENTS	MATERIALS	PLATINGS (µm)
BODY	BRASS	NICKEL 2
CENTER CONTACT	BERYLLIUM COPPER	GOLD 0.5 OVER NICKEL 2
OUTER CONTACT	-	-
INSULATOR	PTFE	-
GASKET	SILICONE RUBBER	-
OTHERS PARTS	BRASS	NICKEL 2
-	-	-
-	-	-

Issue : 0124 U

In the effort to improve our products, we reserve the right to make changes judged to be necessary.



STRAIGHT SQUARE FLANGE JACK

R141.262.000

CLAMP TYPE - CABLE 6/75+93 S

Series : BNC

PACKAGING

Standard	Unit	Other
100	'W' option	Contact us

SPECIFICATION

QAE 06-02 - -
4051 933

ELECTRICAL CHARACTERISTICS

Impedance	50	Ω
Frequency	0-4	GHz
VSWR	1.2 * + 0,0000	x F(GHz) Maxi
Insertion loss	.115*	\sqrt{F} (GHz) dB Maxi
RF leakage	- (57)	- F(GHz)) dB Maxi
Voltage rating	500	Veff Maxi
Dielectric withstanding voltage	1500	Veff mini
Insulation resistance	5000	M Ω mini

CABLE ASSEMBLY

Stripping	a	b	c	d	e	f
mm	5,50	6,00	0,00	0,00	0,50	0,00

Assembly instruction :

Recommended cable(s)
RG 62
KX 6A
RG 59

Cable retention

- pull off **181** N mini
- torque **NA** N.cm

MECHANICAL CHARACTERISTICS

Center contact retention		
Axial force – Mating end	NA	N mini
Axial force – Opposite end	NA	N mini
Torque	NA	N.cm mini

TOOLING

Part Number	Description	Hexagon
.	.	.

Recommended torque

Mating	NA	N.cm
Panel nut	NA	N.cm
Clamp nut	450	N.cm
A/F clamp nut	11,0000	mm

Mating life	500	Cycles mini
Weight	18,0000	g

OTHERS CHARACTERISTICS

* Not applicable for 93 Ohms cable

ENVIRONMENTAL

Operating temperature	-65/+165	$^{\circ}$ C
Hermetic seal	NA	Atm.cm3/s
Panel leakage	NA	

Issue : 0124 U

In the effort to improve our products, we reserve the right to make changes judged to be necessary.



RADIALL [®]

STRAIGHT SQUARE FLANGE JACK

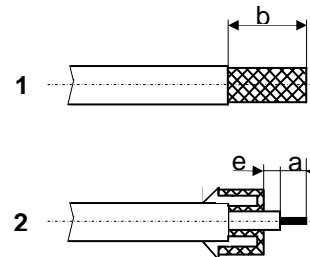
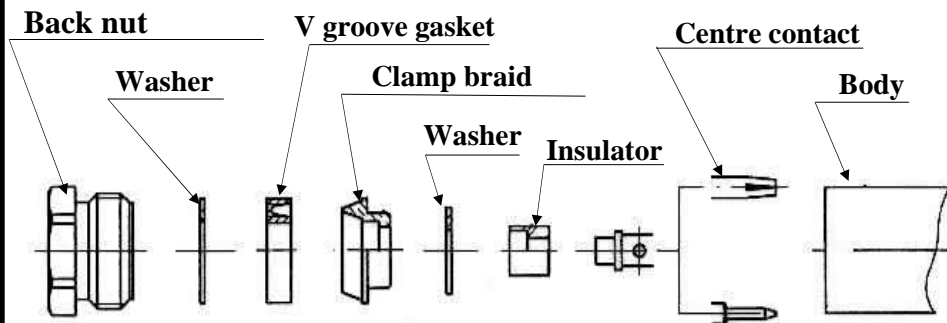
R141.262.000

CLAMP TYPE - CABLE 6/75+93 S

Series : BNC

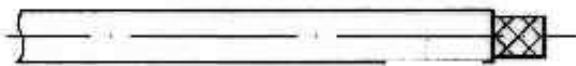
COMPONENTS

STRIPPING DIMENSIONS



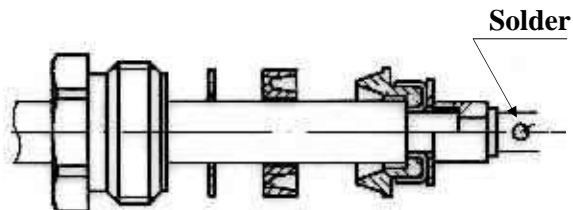
1

Strip the cable as shown in sketch 1.



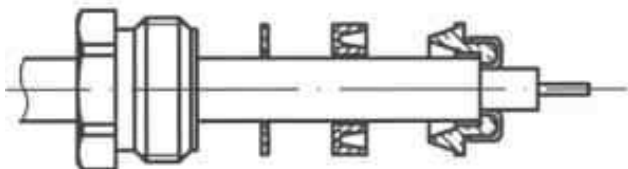
3

Slide the washer and the spacer onto the dielectric. Solder the cable inner conductor into centre contact.



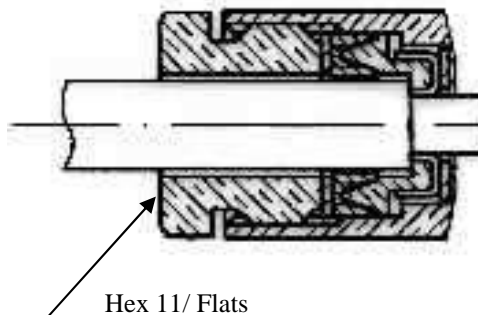
2

Slide the back nut , the washer and the V groove gasket onto the cable.
Slide the clamp braid sleeve over the braid.
Fold the braid back and trim off the extra braid.
Trim dielectric back as shown in sketch 2.



4

Screw sub-assembly into the connector body with the adapted wrench.
Recommended coupling torque (see connector TDS).



Issue : 0124 U

In the effort to improve our products, we reserve the right to make changes judged to be necessary.



RADIALL®