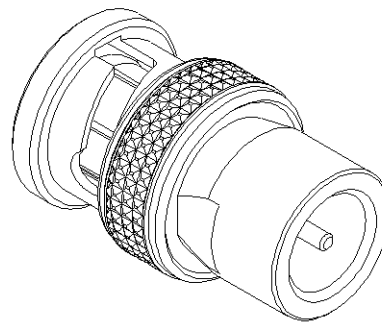
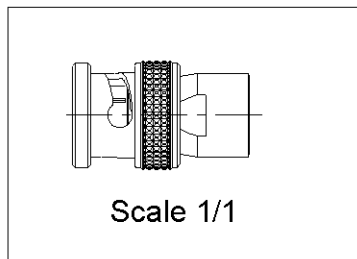
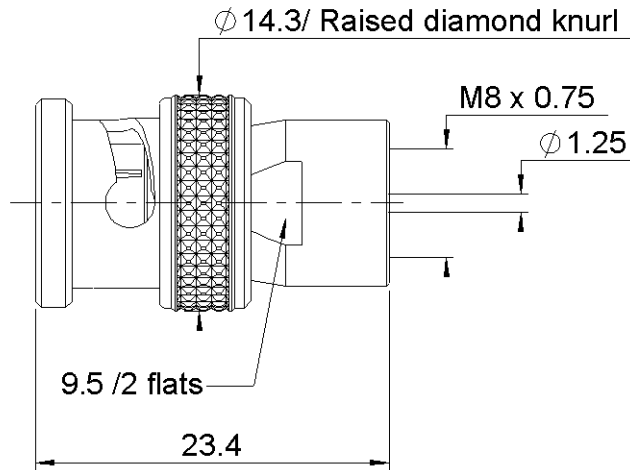
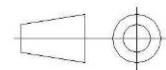


| | | | |
|----------|-----------------|------------|------------------------|
| PAGE 1/2 | ISSUE 10-06-16F | SERIES BNC | PART NUMBER R141042000 |
|----------|-----------------|------------|------------------------|



All dimensions are in mm.



| COMPONENTS | MATERIALS | PLATING (μm) |
|----------------|----------------------------|---------------------------|
| Body | BRASS | NICKEL |
| Center contact | BRASS | GOLD OVER NICKEL |
| Outer contact | - | - |
| Insulator | WHITE POLYPROPYLENE | |
| Gasket | SILICONE RUBBER | |
| Others parts | BRASS | NICKEL |
| - | - | - |
| - | - | - |

| | | | |
|----------|------------------------|-------------------|-------------------------------|
| PAGE 2/2 | ISSUE 10-06-16F | SERIES BNC | PART NUMBER R141042000 |
|----------|------------------------|-------------------|-------------------------------|

PACKAGING

| Standard | Unit | Other |
|------------|-------------------|-------------------|
| 100 | 'W' option | Contact us |

ELECTRICAL CHARACTERISTICS

| | | | | |
|---------------------------------|-------------|---------------|-------------------|--|
| Impedance | | 50 | Ω | |
| Frequency | | 0-1 | GHz | |
| VSWR | NA + | 0,0000 | x F(GHz) Maxi | |
| Insertion loss | | NA | √F(GHz) dB Maxi | |
| RF leakage | - (| NA | - F(GHz)) dB Maxi | |
| Voltage rating | | 500 | Veff Maxi | |
| Dielectric withstanding voltage | | 1500 | Veff mini | |
| Insulation resistance | | 5000 | MΩ mini | |

ENVIRONMENTAL

| | | |
|-----------------------|-----------------|-----------|
| Operating temperature | -55/+100 | °C |
| Hermetic seal | NA | Atm.cm3/s |
| Panel leakage | NA | |

MECHANICAL CHARACTERISTICS

| | | | |
|----------------------------|--|----------------|-------------|
| Center contact retention | | | |
| Axial force – Mating End | | 18 | N mini |
| Axial force – Opposite end | | 18 | N mini |
| Torque | | NA | N.cm mini |
| | | | |
| Recommended torque | | | |
| Mating | | NA | N.cm |
| Panel nut | | NA | N.cm |
| | | | |
| Mating life | | 500 | Cycles mini |
| Weight | | 10,3000 | g |

SPECIFICATION

OTHER CHARACTERISTICS

Assembly instruction:**NA**

Others:

-