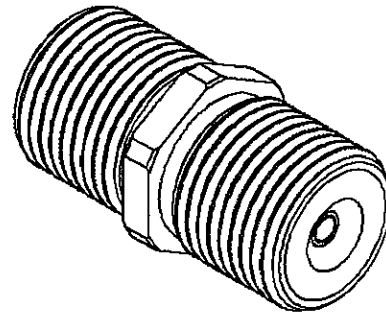
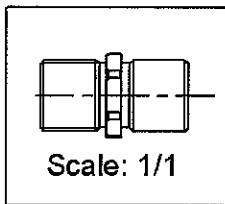
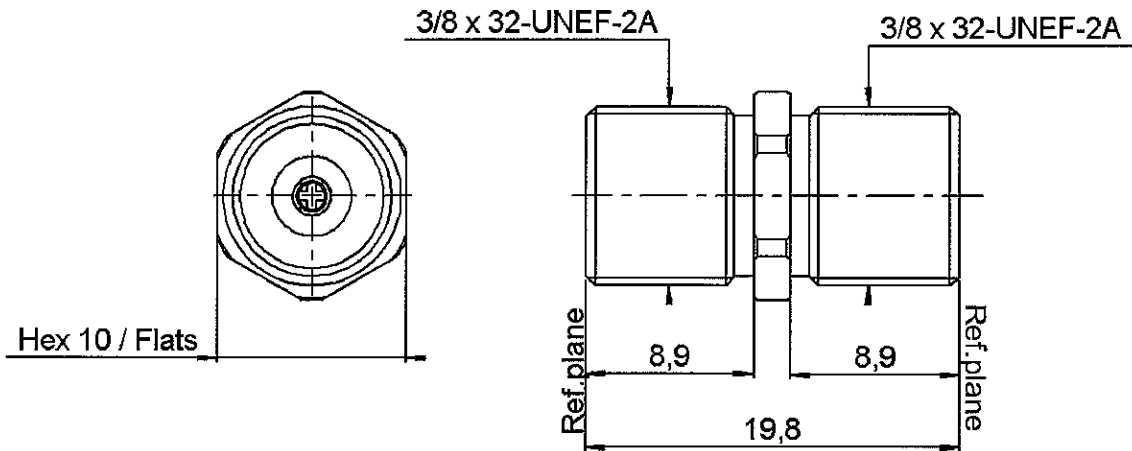


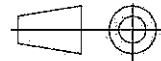
STRAIGHT BULKHEAD ADAPTOR FEMALE/FEMALE

R139.705.023

Series : DT-F



All dimensions are in mm.



COMPONENTS	MATERIALS	PLATING (µm)
BODY	BRASS	GOLD 0.2 OVER NICKEL PHOSPHORUS 2
CENTER CONTACT	BERYLLIUM COPPER, BRASS	GOLD 0.75 OVER NICKEL 2 + SILVER 3
OUTER CONTACT		
INSULATOR	PTFE	
GASKET		
OTHERS PARTS		
-	-	-
-	-	-

Issue : 0544 A

In the effort to improve our products, we reserve the right to make changes judged to be necessary.



RADIALL®

STRAIGHT BULKHEAD ADAPTOR FEMALE/FEMALE

R139.705.023

Series : DT-F

PACKAGING

Standard	Unit	Other
100	'W' option	Contact us

SPECIFICATION

ELECTRICAL CHARACTERISTICS

Impedance		75 Ω
Frequency		0-3 GHz
VSWR	1.2 +	0.000 x F(GHz) Maxi
Insertion loss		0.2 √F(GHz) dB Maxi
RF leakage	- (NA - F(GHz)) dB Maxi
Voltage rating		500 Veff Maxi
Dielectric withstanding voltage		1500 Veff mini
Insulation resistance		5000 MΩ mini

ENVIRONMENTAL

Operating temperature	-40/+80 °C
Hermetic seal	NA Atm.cm3/s
Panel leakage	NA

OTHER CHARACTERISTICS

Assembly instruction NA

Others :

MECHANICAL CHARACTERISTICS

Center contact retention	
Axial force – Mating end	15 N mini
Axial force – Opposite end	15 N mini
Torque	NA N.cm mini
Recommended torque	
Mating	NA N.cm
Panel nut	NA N.cm
Mating life	1000 Cycles mini
Weight	4.120 g

Issue : 0544 A

In the effort to improve our products, we reserve the right to make changes judged to be necessary.



RADIALL®