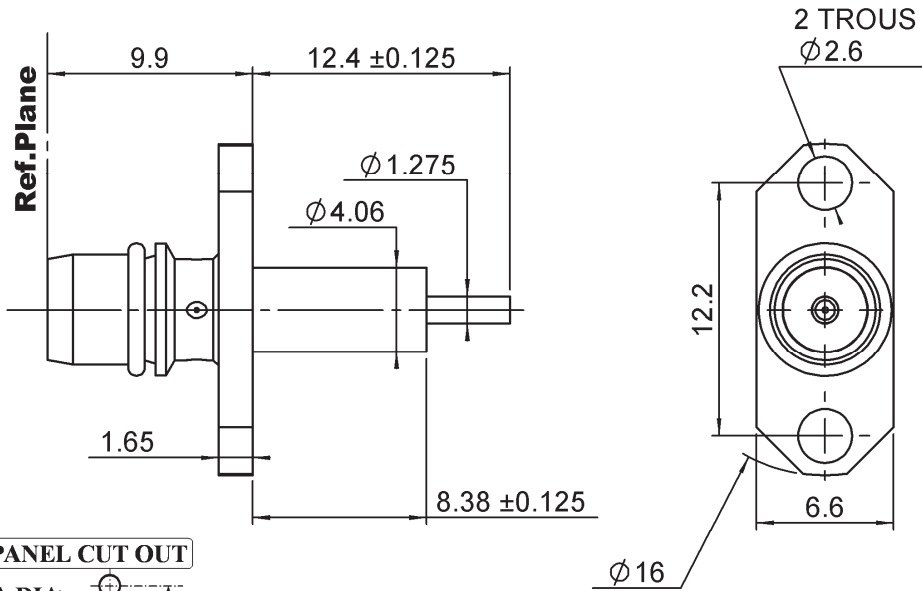
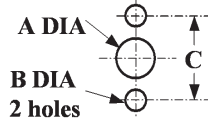


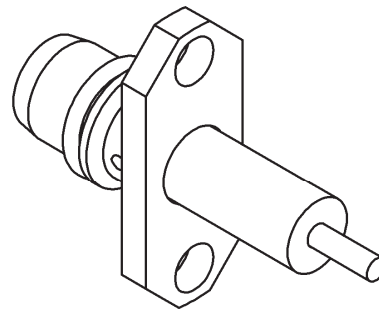
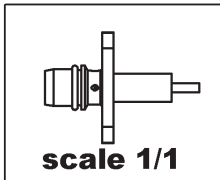
PAGE 1/2	ISSUE 1333A	SERIES <b>BMA-COM</b>	PART NUMBER <b>R128474857</b>
----------	-------------	-----------------------	-------------------------------



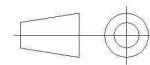
**PANEL CUT OUT**



	mm	
	Maxi	mini
<b>A</b>	4.2	4.1
<b>B</b>	2.65	2.6
<b>C</b>	12.25	12.15



All dimensions are in mm.



COMPONENTS	MATERIALS	PLATING (µm)
Body	<b>BRASS</b>	<b>BBR</b>
Center contact	<b>BRASS</b>	<b>NPGR</b>
Outer contact		
Insulator	<b>PTFE</b>	
Gasket		
Others parts		
-	-	-
-	-	-

PAGE 2/2	ISSUE 1333A	SERIES BMA-COM	PART NUMBER R128474857
----------	-------------	----------------	------------------------

**PACKAGING**

Standard	Unit	Other
100	Contact us	Contact us

**ELECTRICAL CHARACTERISTICS**

Impedance		<b>50</b>	Ω
Frequency		<b>0-18</b>	GHz
VSWR	<b>1.04</b>	<b>+</b>	<b>0.0100</b> x F(GHz) Maxi
Insertion loss		<b>0.07</b>	√F(GHz) dB Maxi
RF leakage	- (	<b>100</b>	- F(GHz)) dB Maxi
Voltage rating		<b>350</b>	Veff Maxi
Dielectric withstanding voltage		<b>1000</b>	Veff mini
Insulation resistance		<b>5000</b>	MΩ mini

**MECHANICAL CHARACTERISTICS**

Center contact retention			
Axial force – Mating End		<b>18</b>	N mini
Axial force – Opposite end		<b>18</b>	N mini
Torque		<b>NA</b>	N.cm mini
Recommended torque			
Mating		<b>NA</b>	N.cm
Panel nut		<b>NA</b>	N.cm
Mating life		<b>500</b>	Cycles mini
Weight		<b>2.1900</b>	g

**ENVIRONMENTAL**

Operating temperature	<b>-65/+165</b>	°C
Hermetic seal	<b>NA</b>	Atm.cm3/s
Panel leakage	<b>NA</b>	

**SPECIFICATION**

**OTHER CHARACTERISTICS**

Assembly instruction:

Others: