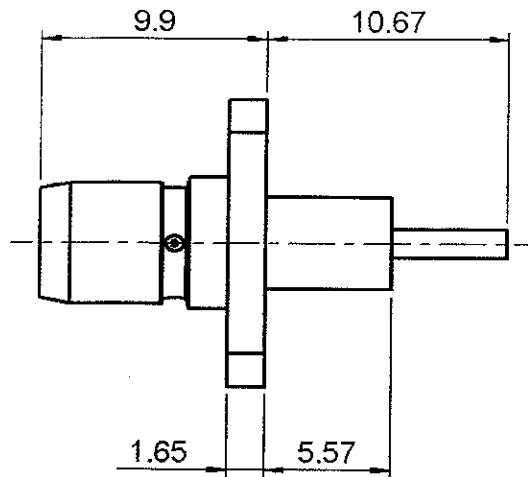
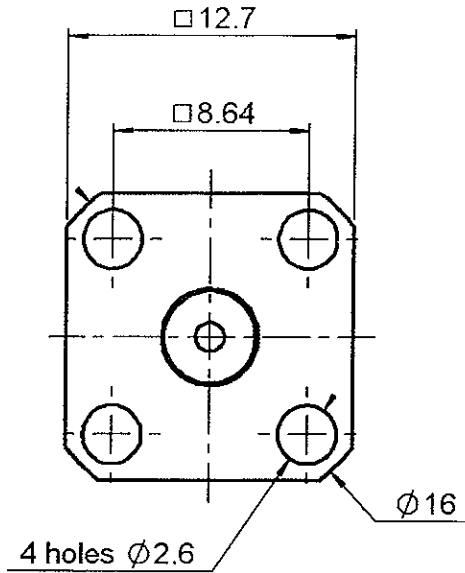


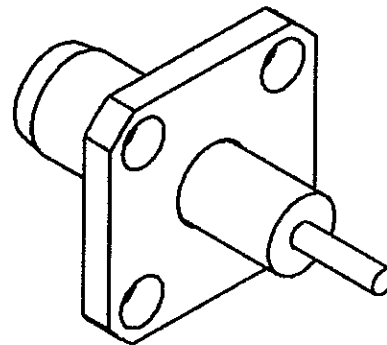
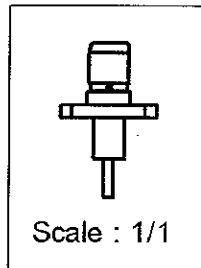
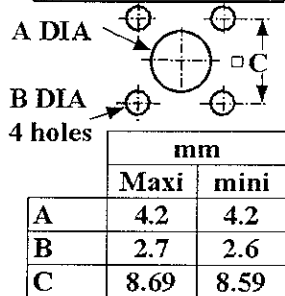
SQUARE FLANGE PLUG RECEPTACLE
WITH CYLINDRICAL CONTACT - PACK. 100

R128.444.307

Series : BMA-COM



PANEL CUT OUT



All dimensions are in mm.

COMPONENTS	MATERIALS	PLATING
BODY	BRASS	BBR 2 µm
CENTRE CONTACT	BRASS	GOLD 1.3 OVER COPPER 2 µm
OUTER CONTACT	-	- µm
INSULATOR	PTFE	
GASKET	-	
OTHERS PARTS	-	- µm
-	-	-
-	-	-



Edition : 0030 A

Design changes may be in order to improve the product.

SQUARE FLANGE PLUG RECEPTACLE
WITH CYLINDRICAL CONTACT - PACK. 100

R128.444.307

Series : **BMA-COM**

ELECTRICAL CHARACTERISTICS

Impedance		50 Ω
Frequency		0-22 GHz
VSWR	TBD +	0.000 x F(GHz) Maxi
Insertion loss		TBD √F(GHz) dB Maxi
RF leakage	-(TBD - F(GHz)) dB mini
Voltage rating		350 Veff Maxi
Dielectric withstanding voltage		1000 Veff mini
Insulation resistance		5000 MΩ mini

SPECIFICATION

ENVIRONMENTAL

Operating temperature	-65/+125 °C
Hermetic seal	NA Atm.cm3/s
Leakage – pressurised only	NA Mpa

OTHERS CHARACTERISTICS

Assembly instruction

Others :

MECHANICAL CHARACTERISTICS

Centre contact retention		
Axial force – Mating end		18 N mini
Axial force – Opposite end		18 N mini
Torque		NA N.cm mini
Recommended torque		
Mating		NA N.cm
Panel nut		NA N.cm
Mating life		500 Cycles mini
Weight		2.878 g

