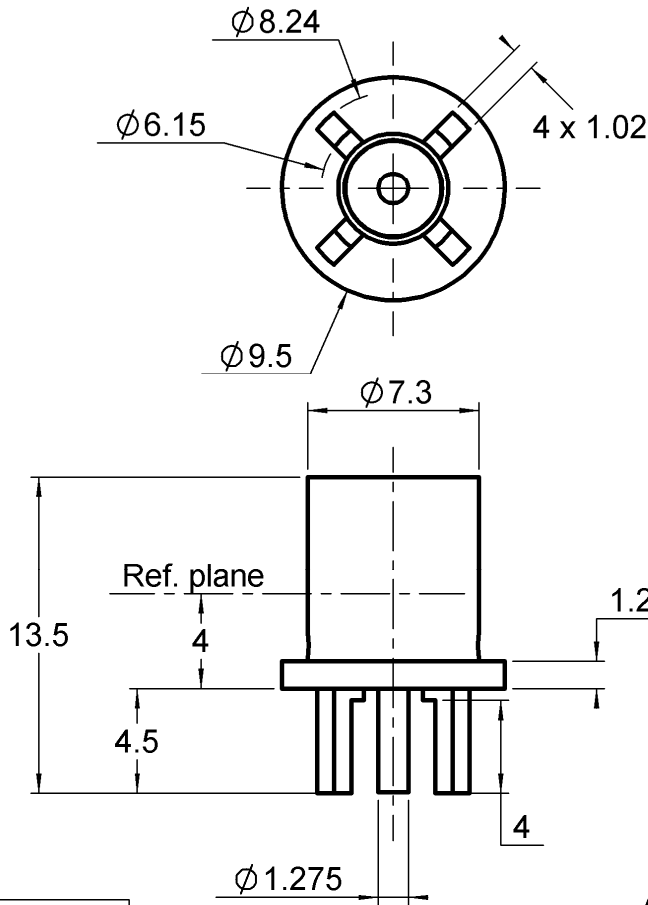


**FEMALE STRAIGHT RECEPTACLE FOR PCB**

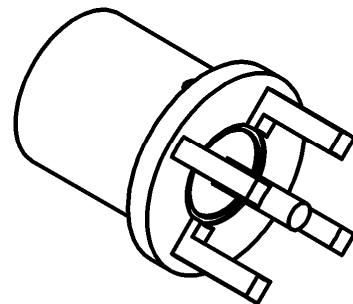
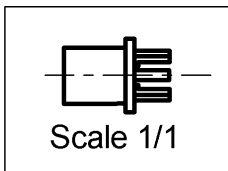
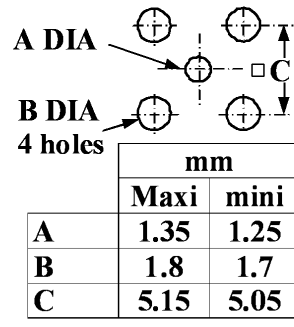
**R128.426.710**

**SOLDER LEGS**

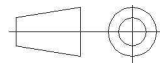
Series : BMA



**PCB MOUNTING**



All dimensions are in mm.



COMPONENTS	MATERIALS	PLATING (µm)
BODY	STAINLESS STEEL	GOLD 0.5 OVER NICKEL 2
CENTER CONTACT	BERYLLIUM COPPER	GOLD 1.3 OVER NICKEL 2
OUTER CONTACT	BERYLLIUM COPPER	NPGR
INSULATOR	PTFE	
GASKET	-	
OTHERS PARTS	-	
-	-	
-	-	

Issue : 0941 B

In the effort to improve our products, we reserve the right to make changes judged to be necessary.



**FEMALE STRAIGHT RECEPTACLE FOR PCB**

**R128.426.710**

**SOLDER LEGS**

Series : **BMA**

**PACKAGING**

Standard	Unit	Other
<b>100</b>	<b>'W' option</b>	<b>Contact us</b>

**SPECIFICATION**

**ELECTRICAL CHARACTERISTICS**

Impedance		<b>50</b> Ω
Frequency		<b>0-22</b> GHz
VSWR	<b>1.25*</b> +	<b>0,0000</b> x F(GHz) Maxi
Insertion loss		<b>0.07</b> √F(GHz) dB Maxi
RF leakage	- (	<b>90*</b> - F(GHz)) dB Maxi
Voltage rating		<b>500</b> Veff Maxi
Dielectric withstanding voltage		<b>1500</b> Veff mini
Insulation resistance		<b>5000</b> MΩ mini

**CABLE ASSEMBLY**

Stripping	a	b	c	d	e	f
mm	0,00	0,00	0,00	0,00	0,00	0,00

Assembly instruction :

Recommended cable(s)

**MECHANICAL CHARACTERISTICS**

Center contact retention		
Axial force – Mating end	<b>27</b>	N mini
Axial force – Opposite end	<b>27</b>	N mini
Torque	<b>NA</b>	N.cm mini

Characteristics indicated on this data sheet are those that can be achieved with the highest performance cable. Intrinsic limitations of the cable may diminish the performance of the assembly

Cable retention

- pull off	<b>NA</b>	N mini
- torque	<b>NA</b>	N.cm

**TOOLING**

Recommended torque		
Mating	<b>NA</b>	N.cm
Panel nut	<b>NA</b>	N.cm
Clamp nut	<b>NA</b>	N.cm
A/F clamp nut	<b>0,0000</b>	mm

Part Number	Description	Hexagon
.	.	.

Mating life	<b>1000</b>	Cycles mini
Weight	<b>2,0600</b>	g

**OTHER CHARACTERISTICS**

\*de 0-10 GHz  
Coaxial transmission line only

**ENVIRONMENTAL**

Operating temperature	<b>-65/+165</b>	°C
Hermetic seal	<b>NA</b>	Atm.cm3/s
Panel leakage	<b>NA</b>	

Issue : **0941 B**

In the effort to improve our products, we reserve the right to make changes judged to be necessary.

**RADIALL** 