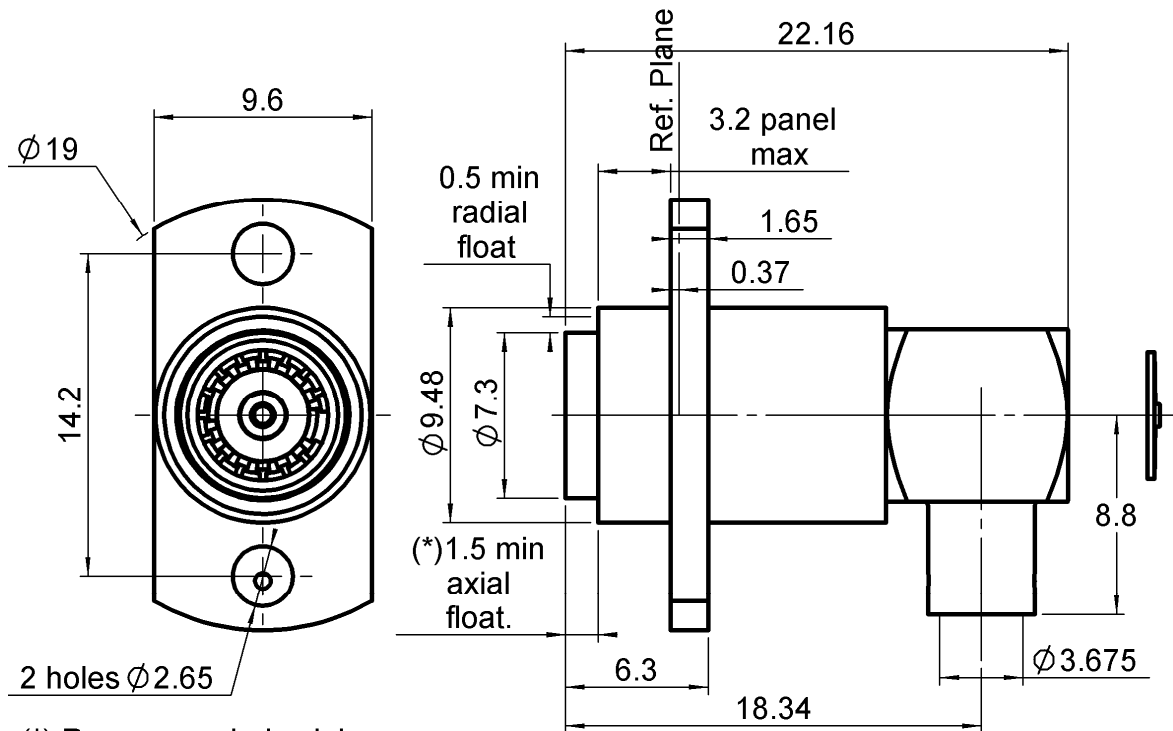


RIGHT ANGLE 2 HOLES FLANGE FLOATING JACK

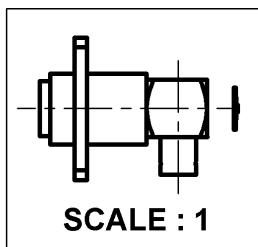
R128.359.707

SOLDER TYPE - CABLE .141

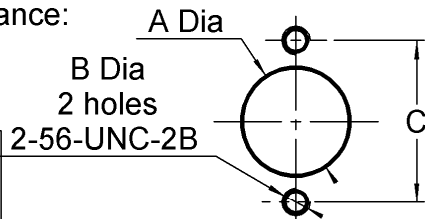
Series : **BMA-COM**



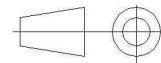
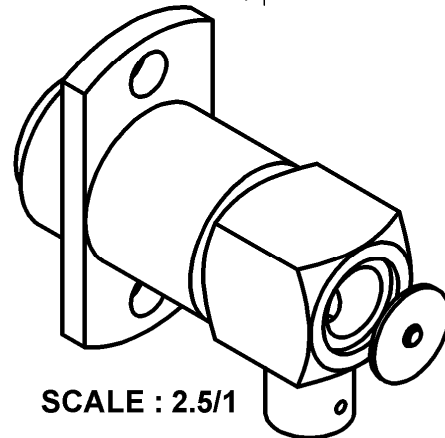
(*) Recommended axial float mount for best electrical performance:
0.51 +/- 0.25 mm
(.020" +/- .010)



PANEL DRILLING



	maxi	mini
A	9.6	9.55
C	14.3	14.1



All dimensions are in mm.

COMPONENTS	MATERIALS	PLATING (µm)
BODY	BRASS	BBR2
CENTER CONTACT	BERYLLIUM COPPER, BRASS	NPGR
OUTER CONTACT	BERYLLIUM COPPER	NPGR
INSULATOR	PTFE	
GASKET	-	
OTHERS PARTS	BRASS	BBR2
-	-	-
-	-	-

Issue : 1021 B

In the effort to improve our products, we reserve the right to make changes judged to be necessary.



RIGHT ANGLE 2 HOLES FLANGE FLOATING JACK

R128.359.707

SOLDER TYPE - CABLE .141

Series : **BMA-COM**

PACKAGING

Standard	Unit	Other
100	'W' option	Contact us

SPECIFICATION

ELECTRICAL CHARACTERISTICS

Impedance		50 Ω
Frequency		0-12.4 GHz
VSWR	1.15 +	0,0250 x F(GHz) Maxi
Insertion loss		0.07 √F(GHz) dB Maxi
RF leakage	- (90 - F(GHz)) dB Maxi
Voltage rating		350 Veff Maxi
Dielectric withstanding voltage		1000 Veff mini
Insulation resistance		5000 MΩ mini

CABLE ASSEMBLY

Stripping	a	b	c	d	e	f
mm	4,30	1,40	0,00	0,00	0,00	0,00

Assembly instruction :

Recommended cable(s)
 RG 402
 KS 2

Characteristics indicated on this data sheet are those that can be achieved with the highest performance cable. Intrinsic limitations of the cable may diminish the performance of the assembly

Cable retention

- pull off **272** N mini
 - torque **NA** N.cm

MECHANICAL CHARACTERISTICS

Center contact retention		
Axial force – Mating end	18	N mini
Axial force – Opposite end	18	N mini
Torque	NA	N.cm mini

TOOLING

Part Number	Description	Hexagon
.	.	.
R282.740.000	SOLDERING MOUNTING	

Recommended torque		
Mating	NA	N.cm
Panel nut	NA	N.cm
Clamp nut	NA	N.cm
A/F clamp nut	0,0000	mm

Mating life	1000	Cycles mini
Weight	8,0000	g

OTHER CHARACTERISTICS

It is recommended to use a service loop to facilitate the float features of the connector

ENVIRONMENTAL

Operating temperature	-40/+100	°C
Hermetic seal	NA	Atm.cm3/s
Panel leakage	NA	

Issue : **1021 B**

In the effort to improve our products, we reserve the right to make changes judged to be necessary.

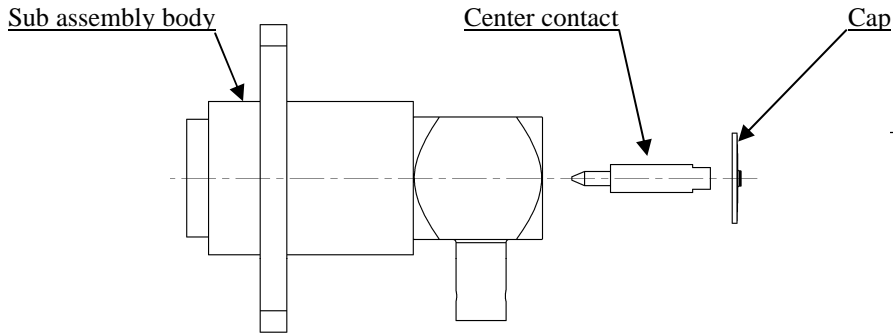


RIGHT ANGLE 2 HOLES FLANGE FLOATING JACK
SOLDER TYPE - CABLE .141

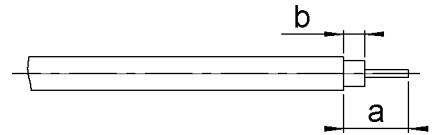
R128.359.707

Series : BMA-COM

COMPONENTS

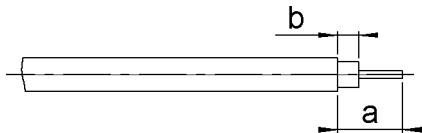


STRIPPING DIMENSIONS



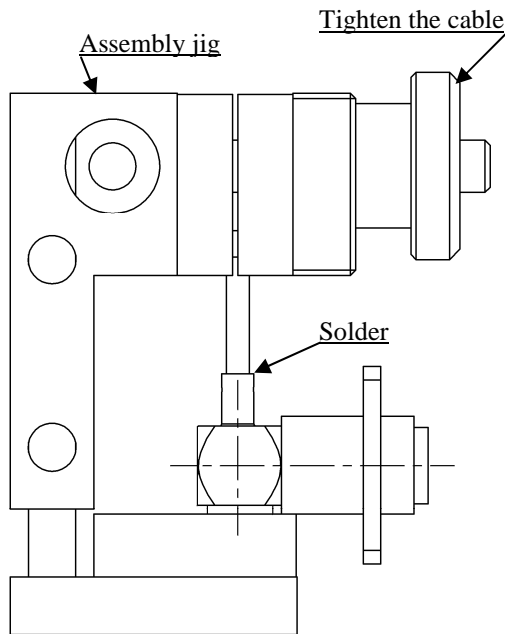
We recommend a cable thermal preconditioning before assembly

1 Strip the cable.

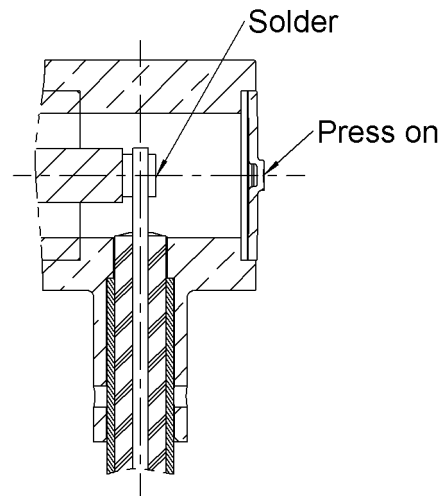


2 Place the sub-assembly into the assembly jig. Tighten. Put three rings of solder around the cable. Solder the body onto the cable. Cleaning the solder area

2 Slide the cable into the connector until it bottoms against the body.



3 After cooling, remove the assembly from the jig. Solder the inner conductor. Place the cap into the body. Press on the cap flush or slightly below the surface of the body assembly.



Issue : 1021 B

In the effort to improve our products, we reserve the right to make changes judged to be necessary.

