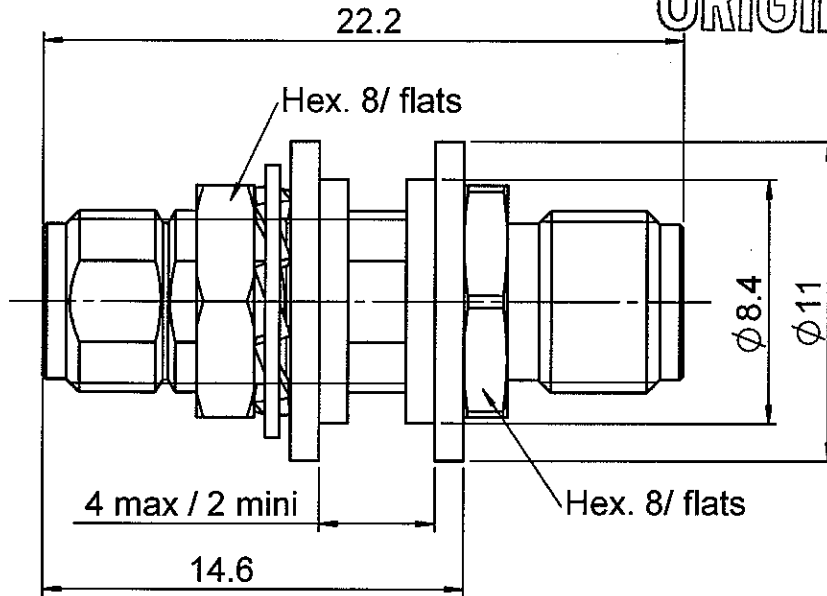


BULKHEAD FEMALE FEMALE ADAPTOR
PANEL INSULATED

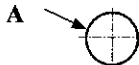
R125.722.001

Series : SMA

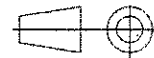
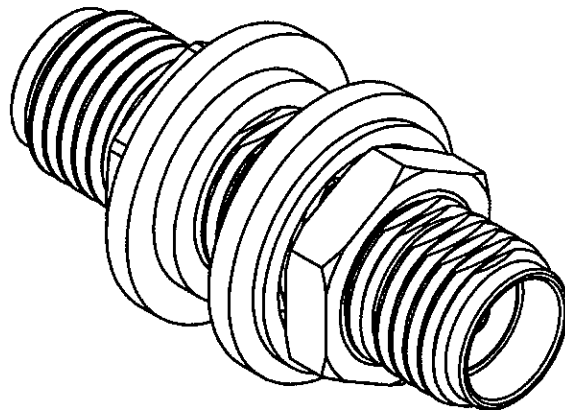
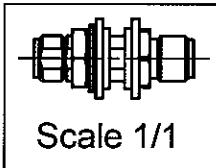
ORIGINAL



PANEL CUT OUT



mm	
	Maxi mini
A	8.6 8.5



All dimensions are in mm.

COMPONENTS	MATERIALS	PLATING (µm)
BODY	STAINLESS STEEL	PASSIVATION
CENTER CONTACT	BERYLLIUM COPPER	GOLD 2.5 OVER NICKEL 2
OUTER CONTACT	-	-
INSULATOR	PTFE	-
GASKET	-	-
OTHERS PARTS	BRASS	NICKEL .
-	-	-
-	-	-

Issue : 9544 A

In the effort to improve our products, we reserve the right to make changes judged to be necessary.



BULKHEAD FEMALE FEMALE ADAPTOR

R125.722.001

PANEL INSULATED

Series : SMA

ORIGINAL

PACKAGING

SPECIFICATION

Standard	Unit	Other
1	-	Contact us

ELECTRICAL CHARACTERISTICS

ENVIRONMENTAL

Impedance	50	Ω
Frequency	0-18	GHz
VSWR	1.05 + 0.0050	x F(GHz) Maxi
Insertion loss	.06	\sqrt{F} (GHz) dB Maxi
RF leakage	- (90)	- F(GHz)) dB Maxi
Voltage rating	335	Veff Maxi
Dielectric withstanding voltage	1500	Veff mini
Insulation resistance	5000	M Ω mini

Operating temperature	-65/+165	$^{\circ}$ C
Hermetic seal	NA	Atm.cm3/s
Panel leakage	NA	

OTHER CHARACTERISTICS

Assembly instruction

Others :

MECHANICAL CHARACTERISTICS

Center contact retention		
Axial force – Mating end	27	N mini
Axial force – Opposite end	27	N mini
Torque	2.8	N.cm mini
Recommended torque		
Mating	NA	N.cm
Panel nut	150	N.cm
Mating life	0	Cycles mini
Weight	4.695	g

Issue : 9544 A

In the effort to improve our products, we reserve the right to make changes judged to be necessary.



RADIALL®