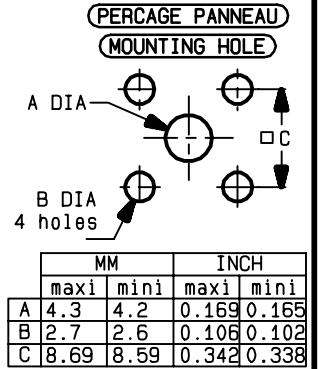
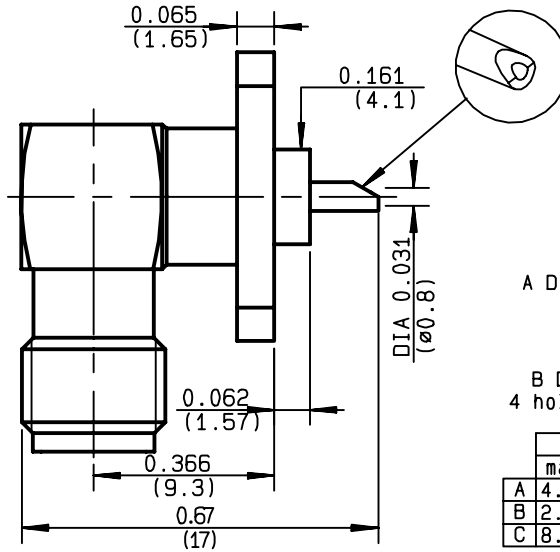
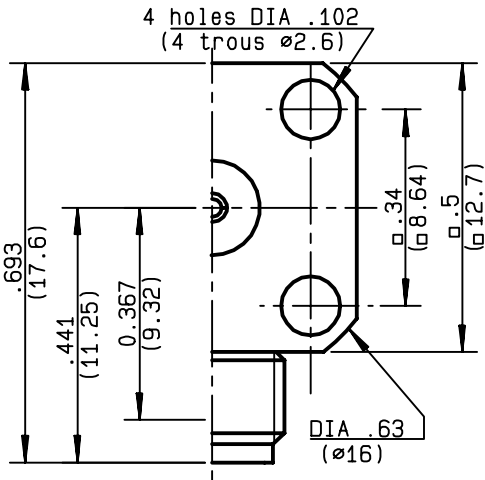


**RIGHT ANGLE SQUARE FLANGE JACK RECEPT.  
WITH SOLDER POT CONTACT**

**R125.653.000**  
**SERIES SMA**



NOMINAL IMPEDANCE	<b>50</b>	$\Omega$
FREQUENCY RANGE	<b>0-18</b>	GHz
TEMPERATURE RATING	<b>-65/+165</b>	$^{\circ}C$
V.S.W.R	<b>1.065</b>	+ <b>.0025</b> x F(GHz)Maxi
RF INSERTION LOSS	<b>0.07</b>	$\sqrt{F}$ (GHz) dB Maxi
VOLTAGE RATING	<b>500</b>	Veff Maxi
DIELECTRIC WITHSTANDING VOLTAGE	<b>1000</b>	Veff Mini
INSULATION RESISTANCE	<b>5000</b>	M $\Omega$ Mini
HERMETIC SEAL	<b>NA</b>	Atm.cm <sup>3</sup> /s
LEAKAGE (pressurized only)	<b>NA</b>	
MECHANICAL DURABILITY	<b>500</b>	Cycles
WEIGHT		gr
SPECIFICATION		

CABLES :

OTHERS CHARACTERISTICS

CABLE RETENTION	<b>NA</b>	N Mini
CENTER CONTACT RETENTION		
Axial force - mating end	<b>27</b>	N Mini
Axial force - opposite end	<b>27</b>	N Mini
Torque	<b>2.8</b>	cm.N Mini
RECOMMENDED TORQUES		
Mating	<b>NA</b>	cm.N
Panel nut	<b>NA</b>	cm.N
Clamp nut	<b>NA</b>	cm.N

CONNECTOR PARTS	MATERIALS	FINISH	(all values are given in micrometers)
BODY	STAINLESS STEEL	GOLD 0.5 OVER NICKEL 2	
OUTER CONTACT			
CENTER CONTACT	BERYLLIUM COPPER	GOLD 1.3 OVER NICKEL 2	
INSULATOR	PTFE	-	
GASKET		-	
OTHERS PIECES			

GUILLOMIN

ISSUE	CREATION DATE	FILE PART-NUMBER
<b>9840X00</b>	<b>24/01/1991</b>	



The information given here is subject to change without notice.  
Design changes may be in order to improve the product .

*Connect to the future*