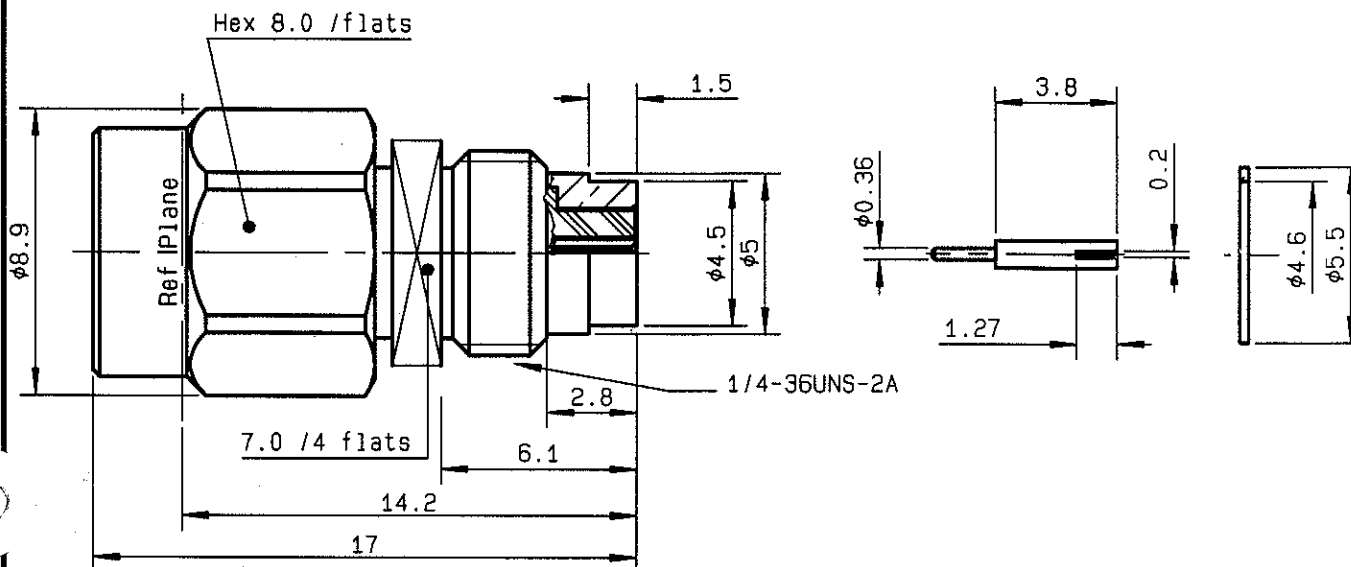


**NO GLASS HERMETIC MALE RECEPTACLE
SCREW IN WITH SLIDING CONTACT**

R125.635.581
SERIES SMA



NOMINAL IMPEDANCE	50 Ω
FREQUENCY RANGE	0-18 GHz
TEMPERATURE RATING	-65/+150 °C
V.S.W.R	1.2 + x F(GHz)Maxi
RF INSERTION LOSS	.2 \sqrt{F} (GHz) dB Maxi
VOLTAGE RATING	450 Veff Maxi
DIELECTRIC WITHSTANDING VOLTAGE	1000 Veff Mini
INSULATION RESISTANCE	5000 M Ω Mini
HERMETIC SEAL	10-7 Atm.cm ³ /s
PACKAGE (pressurized only)	NA
MECHANICAL DURABILITY	500 Cycles
WEIGHT	3.41 gr
SPECIFICATION	

CABLES :	
OTHERS CHARACTERISTICS	
CABLE RETENTION	NA N Mini
CENTER CONTACT RETENTION	
Axial force - mating end	15 N Mini
Axial force - opposite end	15 N Mini
Torque	NA cm.N Mini
RECOMMENDED TORQUES	
Mating	110 cm.N
Panel nut	100 cm.N
Clamp nut	NA cm.N

CONNECTOR PARTS	MATERIALS	FINISH	(all values are given in micrometers)
BODY	STAINLESS STEEL	PASSIVATED	
OUTER CONTACT			
CENTER CONTACT	BERYLLIUM COPPER	GOLD OVER COPPER	
INSULATOR	PTFE	-	
GASKET	BRASS	-	
OTHERS PIECES	BRASS	SILVER OVER COPPER	

ISSUE	CREATION DATE	FILE PART-NUMBER
9837A00	23-AUG-95	95-0106-834



COLLIN

The information given here is subject to change without notice.
Design changes may be in order to improve the product.

Connect to the future