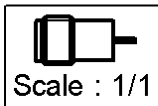
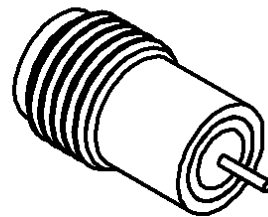
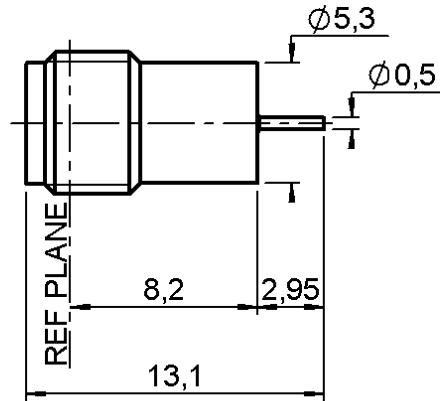


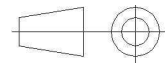
**SOLDER JACK RECEPTACLE**  
**HERMETIC-WITH CYLINDRICAL CONTACT**

**R125.630.040**

Series : SMA



All dimensions are in mm.



COMPONENTS	MATERIALS	PLATINGS (µm)
BODY	INOX	GOLD 0.5 OVER NICKEL 2
CENTER CONTACT	DILVER P	GOLD 0.5 OVER NICKEL 2
OUTER CONTACT	-	-
INSULATOR	PTFE	-
GASKET	-	-
OTHERS PARTS	-	-
-	-	-
-	-	-

Issue : 1220 A

In the effort to improve our products, we reserve the right to make changes judged to be necessary.



**SOLDER JACK RECEPTACLE**

**R125.630.040**

**HERMETIC-WITH CYLINDRICAL CONTACT**

Series : SMA

**PACKAGING**

**SPECIFICATION**

Standard	Unit	Other
<b>1</b>	-	<b>Contact us</b>

**ELECTRICAL CHARACTERISTICS**

**ENVIRONMENTAL**

Impedance	<b>50</b>	$\Omega$
Frequency	<b>0-18</b>	GHz
VSWR	<b>1.10 + 0,0100</b>	x F(GHz) Maxi
Insertion loss	<b>0.3</b>	$\sqrt{F(GHz)}$ dB Maxi
RF leakage	- ( <b>NA</b> )	- F(GHz)) dB Maxi
Voltage rating	<b>500</b>	Veff Maxi
Dielectric withstanding voltage	<b>1000</b>	Veff mini
Insulation resistance	<b>5000</b>	M $\Omega$ mini

Operating temperature	<b>-40/+100</b>	$^{\circ}$ C
Hermetic seal	<b>10-5</b>	Atm.cm <sup>3</sup> /s
Panel leakage	<b>NA</b>	

**OTHERS CHARACTERISTICS**

Assembly instruction

Others :  
Coaxial Transmission Line Only

**MECHANICAL CHARACTERISTICS**

Center contact retention		
Axial force – Mating end	<b>27</b>	N mini
Axial force – Opposite end	<b>27</b>	N mini
Torque	<b>NA</b>	N.cm mini
Recommended torque		
Mating	<b>NA</b>	N.cm
Panel nut	<b>NA</b>	N.cm
Mating life	<b>500</b>	Cycles mini
Weight	<b>1,1500</b>	g

Issue : 1220 A

In the effort to improve our products, we reserve the right to make changes judged to be necessary.



**SOLDER JACK RECEPTACLE**  
**HERMETIC-WITH CYLINDRICAL CONTACT**

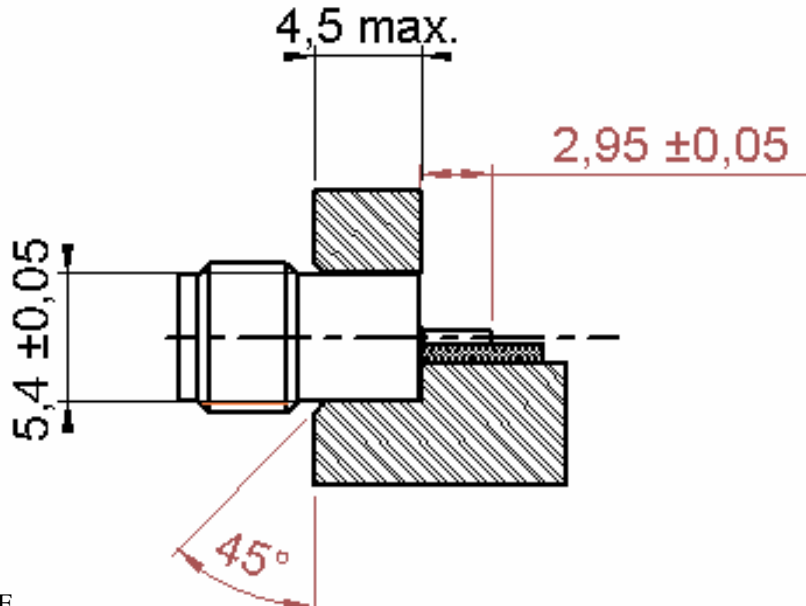
**R125.630.040**

Series : SMA

**RECOMMENDED MOUNTING HOLE DETAIL**

PANEL WITH THROUGH HOLE

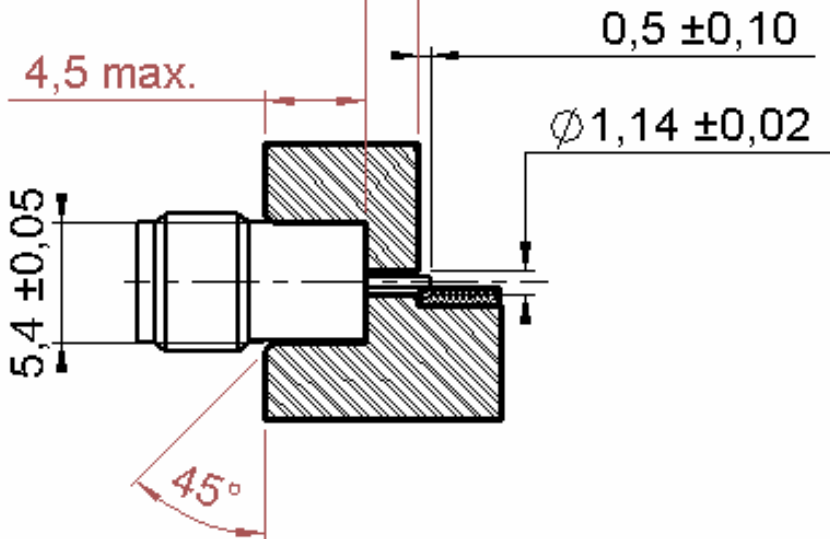
Frequency range 0 – 18 GHz  
 VSWR < 1.10 + 0.03 F



PANEL WITH BLIND HOLE

Frequency range 0 – 18 GHz  
 VSWR < 1.05+0.02F

1 to 2.4 according  
 to customer's application



Issue : 1220 A

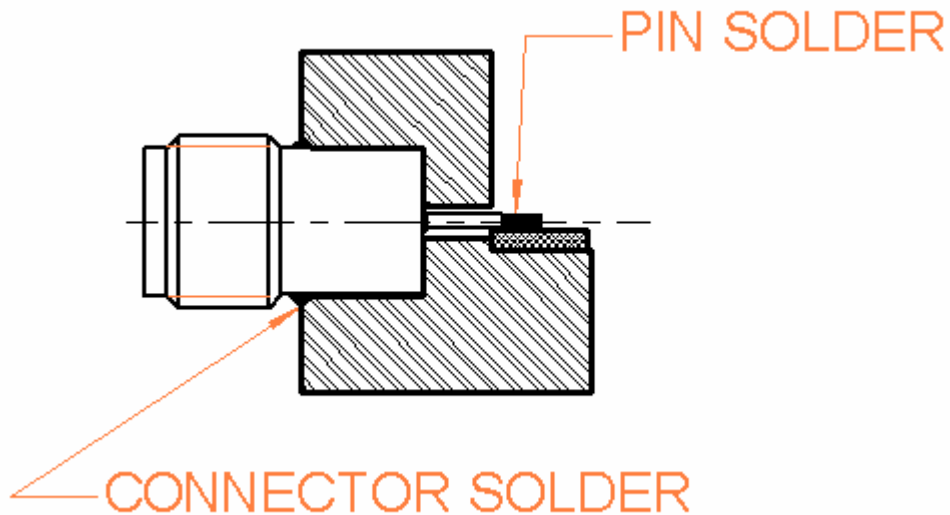
In the effort to improve our products, we reserve the right to make changes judged to be necessary.



**SOLDER JACK RECEPTACLE**  
**HERMETIC-WITH CYLINDRICAL CONTACT**

**R125.630.040**

Series : SMA

**MOUNTING INSTRUCTIONS**

- 1 – Degrease and clean connector and box.
- 2 – Solder the connector on the panel:  
Preheating at about 100°C.  
Take care not to exceed 250°C during solder operation .
- 3 – Solder the pin on the track:  
-ceramic substrates: preheating at about 100°C.  
-other substrates: no preheating required.

NOTE: Please use a small soldering iron ,or hot air soldering system.

**Issue :** 1220 A

In the effort to improve our products, we reserve the right to make changes judged to be necessary.

