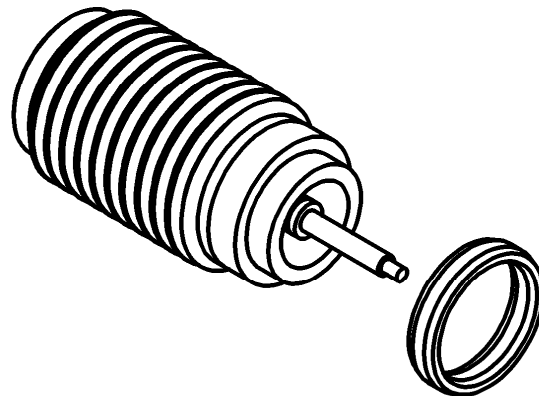
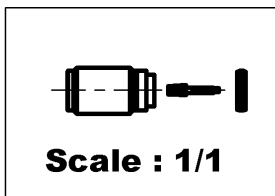
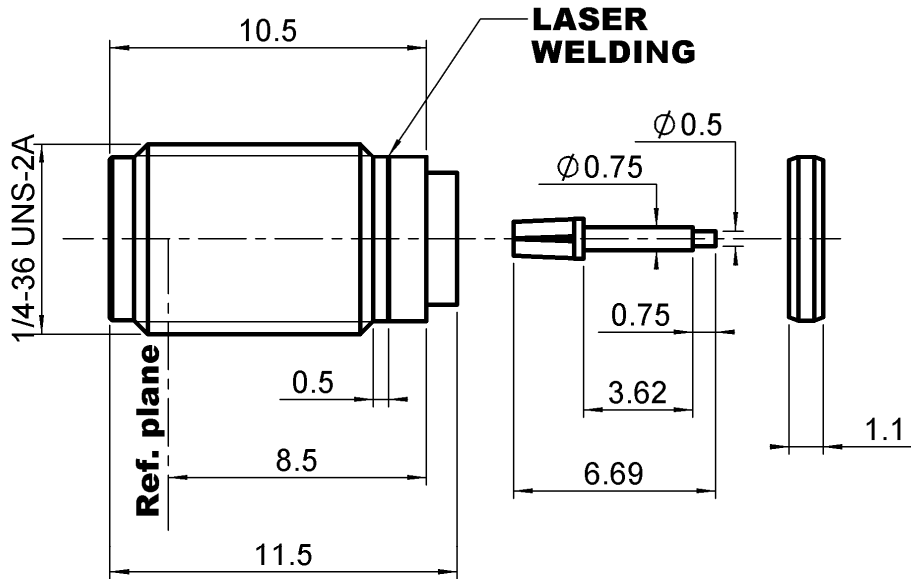


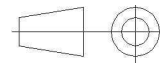
**SCREW ON FEMALE RECEPTACLE**  
**HERMETIC-WITH CYLINDRICAL CONTACT**

**R125.609.170**

Series : SMA



All dimensions are in mm.



COMPONENTS	MATERIALS	PLATING (µm)
BODY	STAINLESS STEEL	GOLD 0.5 OVER NICKEL 2
CENTER CONTACT	BERYLLIUM COPPER	GOLD 1.3 OVER NICKEL2
OUTER CONTACT	-	-
INSULATOR	PTFE+GLASS BEAD	-
GASKET	AG4MC	-
OTHERS PARTS	DILVER P1	GOLD 0.5 OVER NICKEL 2
-	-	-
-	-	-

Issue : 1942 B

In the effort to improve our products, we reserve the right to make changes judged to be necessary.



**SCREW ON FEMALE RECEPTACLE**  
**HERMETIC-WITH CYLINDRICAL CONTACT**

**R125.609.170**

Series : SMA

**PACKAGING**

Standard	Unit	Other
<b>100</b>	<b>'W' option</b>	<b>Contact us</b>

**SPECIFICATION**

**ELECTRICAL CHARACTERISTICS**

Impedance	<b>50</b>	$\Omega$
Frequency	<b>0-26.5</b>	GHz
VSWR	<b>1.1 + 0,0100</b>	x F(GHz) Maxi
Insertion loss	<b>0.3</b>	$\sqrt{F}(\text{GHz})$ dB Maxi
RF leakage	- ( <b>NA</b> )	- F(GHz)) dB Maxi
Voltage rating	<b>500</b>	Veff Maxi
Dielectric withstanding voltage	<b>1000</b>	Veff mini
Insulation resistance	<b>5000</b>	M $\Omega$ mini

**ENVIRONMENTAL**

Operating temperature	<b>-65/+165</b>	$^{\circ}\text{C}$
Hermetic seal	<b>10-8</b>	Atm.cm <sup>3</sup> /s
Panel leakage	<b>NA</b>	

**OTHER CHARACTERISTICS**

Assembly instruction

Others :

**MECHANICAL CHARACTERISTICS**

Center contact retention		
Axial force – Mating end	<b>27</b>	N mini
Axial force – Opposite end	<b>27</b>	N mini
Torque	<b>2.8</b>	N.cm mini
Recommended torque		
Mating	<b>NA</b>	N.cm
Panel nut	<b>280</b>	N.cm
Mating life	<b>500</b>	Cycles mini
Weight	<b>1,6400</b>	g

Issue : 1942 B

In the effort to improve our products, we reserve the right to make changes judged to be necessary.

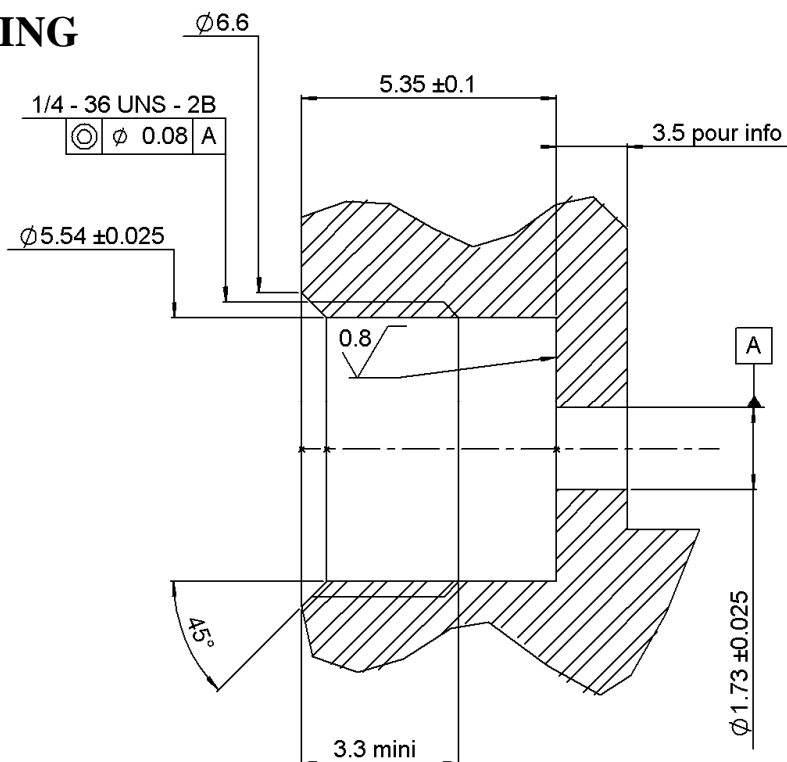


**SCREW ON FEMALE RECEPTACLE**  
**HERMETIC-WITH CYLINDRICAL CONTACT**

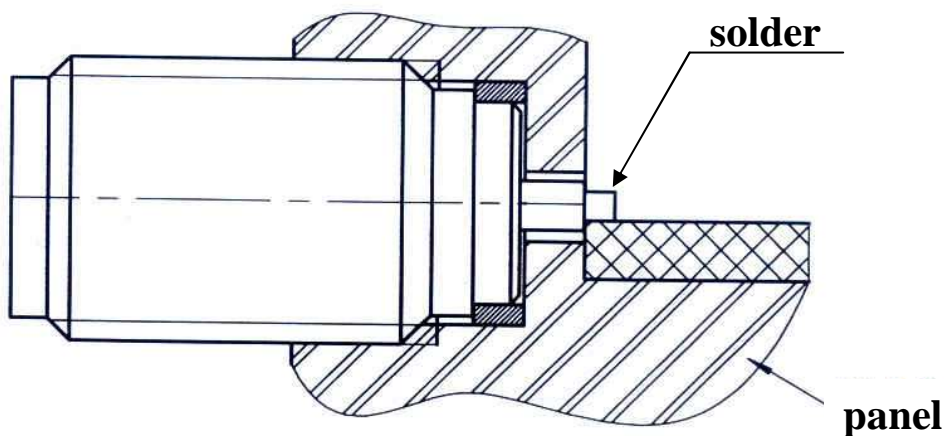
**R125.609.170**

Series : SMA

**PANEL DRILLING**



**MOUNTING**



**Assemble metal gasket onto connector. Screw the whole into the housing.**  
**Tighten the connector up to 280Ncm+or-10Ncm(use special tooling set**  
**RADIALL R282.341.012 )Thus the connexion hermeticity is guaranteed at 10-8cc/sec.**  
**Then solder the pin on the track.**  
**Beware there is not too much solder.**

Issue : 1942 B

In the effort to improve our products, we reserve the right to make changes judged to be necessary.

