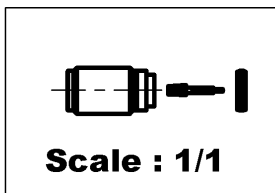
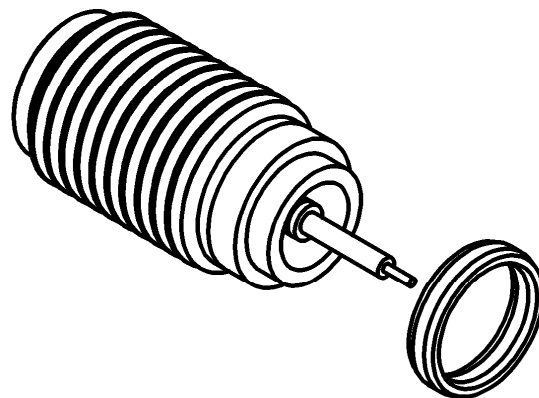
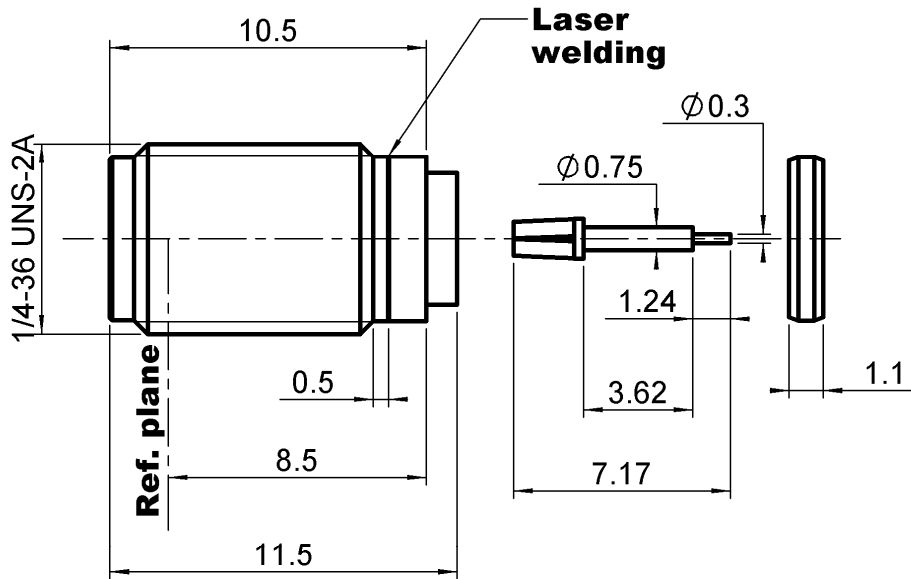


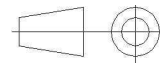
SCREW ON FEMALE RECEPTACLE
HERMETIC-WITH CYLINDRICAL CONTACT

R125.609.160

Series : SMA



All dimensions are in mm.



COMPONENTS	MATERIALS	PLATING (µm)
BODY	STAINLESS STEEL	GOLD 0.5 OVER NICKEL 2
CENTER CONTACT	BERYLLIUM COPPER	GOLD 1.3 OVER NICKEL2
OUTER CONTACT	-	-
INSULATOR	PTFE+GLASS BEAD	-
GASKET	AG4MC	-
OTHERS PARTS	DILVER P1	GOLD 0.5 OVER NICKEL 2
-	-	-
-	-	-

Issue : 1942 B

In the effort to improve our products, we reserve the right to make changes judged to be necessary.



**SCREW ON FEMALE RECEPTACLE
HERMETIC-WITH CYLINDRICAL CONTACT**

R125.609.160

Series : SMA

PACKAGING

SPECIFICATION

Standard	Unit	Other
100	'W' option	Contact us

ELECTRICAL CHARACTERISTICS

ENVIRONMENTAL

Impedance	50	Ω
Frequency	0-26.5	GHz
VSWR	1.1 + 0,0100	x F(GHz) Maxi
Insertion loss	0.3	\sqrt{F} (GHz) dB Maxi
RF leakage	- (NA)	- F(GHz)) dB Maxi
Voltage rating	500	Veff Maxi
Dielectric withstanding voltage	1000	Veff mini
Insulation resistance	5000	M Ω mini

Operating temperature	-40/+100	$^{\circ}$ C
Hermetic seal	10-8	Atm.cm ³ /s
Panel leakage	NA	

OTHER CHARACTERISTICS

Assembly instruction

Others :

MECHANICAL CHARACTERISTICS

Center contact retention		
Axial force – Mating end	27	N mini
Axial force – Opposite end	27	N mini
Torque	2.8	N.cm mini
Recommended torque		
Mating	NA	N.cm
Panel nut	280	N.cm
Mating life	500	Cycles mini
Weight	1,6400	g

Issue : 1942 B

In the effort to improve our products, we reserve the right to make changes judged to be necessary.

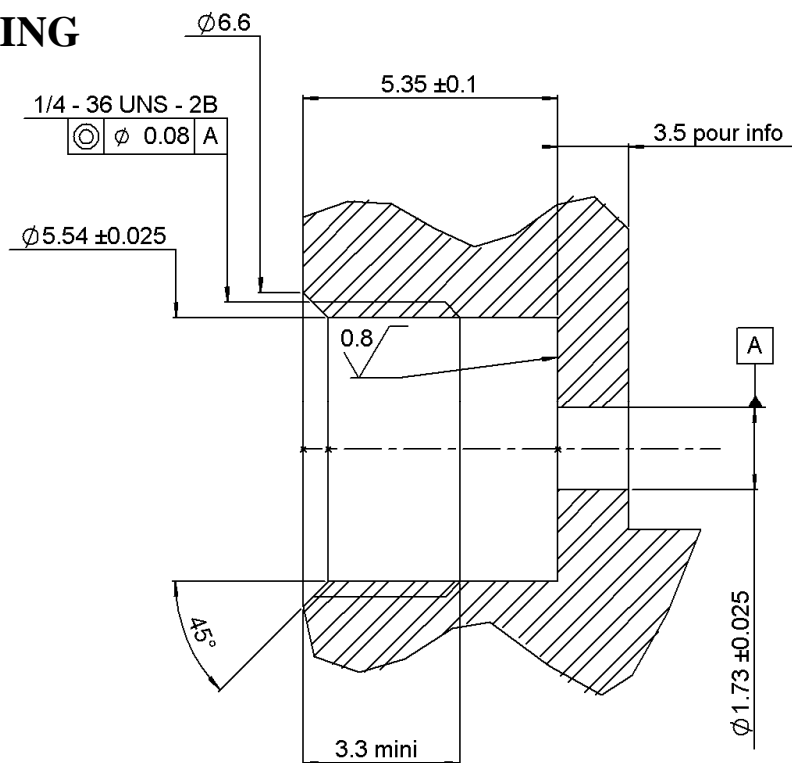


SCREW ON FEMALE RECEPTACLE
HERMETIC-WITH CYLINDRICAL CONTACT

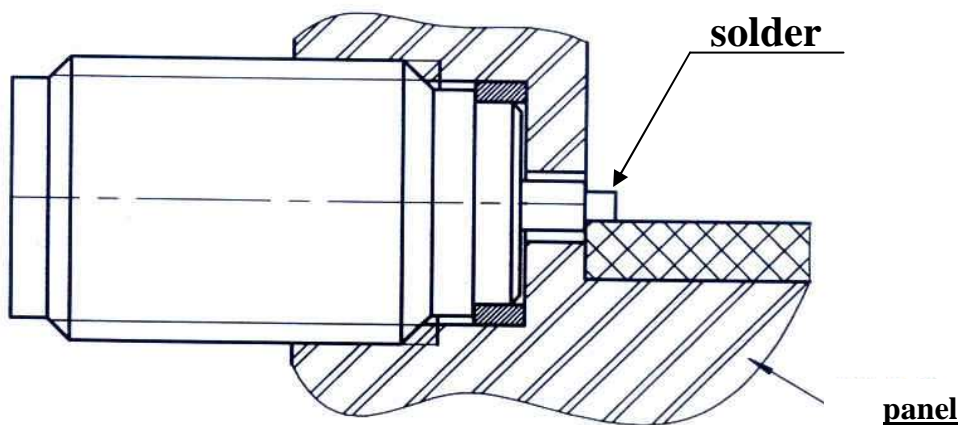
R125.609.160

Series : SMA

PANEL DRILLING



MOUNTING



Assemble metal gasket onto connector. Screw the whole into the housing. Tighten the connector up to 280Ncm+or-10Ncm(use special tooling set RADIALL R282.341.012)Thus the connexion hermeticity is guaranteed at 10-8cc/sec.
Then solder the pin on the track.
Beware there is not too much solder.

Issue : 1942 B

In the effort to improve our products, we reserve the right to make changes judged to be necessary.

