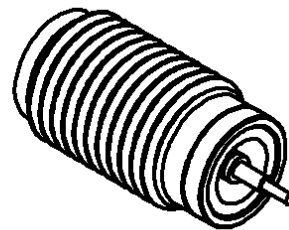
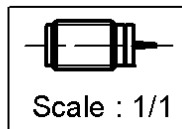
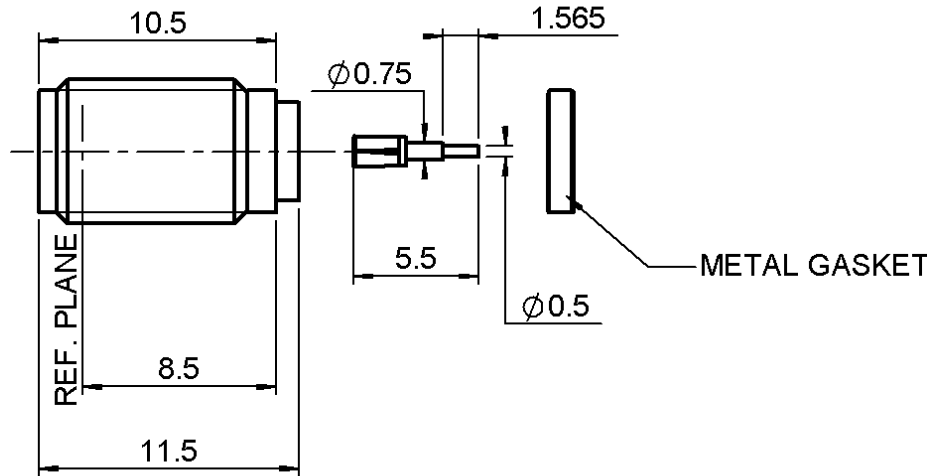


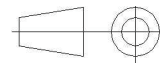
**SCREW ON JACK RECEPTACLE**  
**HERMETIC - WITH AUXILLIARY CONTACT**

**R125.609.031**

Series : SMA



All dimensions are in mm.



COMPONENTS	MATERIALS	PLATINGS ( $\mu\text{m}$ )
BODY	STAINLESS STEEL	PASSIVATED .
CENTER CONTACT	BERYLLIUM COPPER	GOLD 1.3 OVER NICKEL 2
OUTER CONTACT	-	-
INSULATOR	PTFE	-
GASKET	Al1050A-H14	GOLD 0.5 OVER NICKEL 2
OTHERS PARTS	BERYLLIUM COPPER	-
-	-	-
-	-	-

Issue : 0431 B

In the effort to improve our products, we reserve the right to make changes judged to be necessary.



**SCREW ON JACK RECEPTACLE**  
**HERMETIC - WITH AUXILLIARY CONTACT**

**R125.609.031**

Series : SMA

**PACKAGING**

**SPECIFICATION**

Standard	Unit	Other
<b>1</b>	-	<b>Contact us</b>

**ELECTRICAL CHARACTERISTICS**

Impedance		<b>50</b> Ω
Frequency		<b>0-26.5</b> GHz
VSWR	<b>1.10</b> +	<b>0.010</b> x F(GHz) Maxi
Insertion loss		<b>0.3</b> √F(GHz) dB Maxi
RF leakage	- (	<b>NA</b> - F(GHz)) dB Maxi
Voltage rating		<b>500</b> Veff Maxi
Dielectric withstanding voltage		<b>1000</b> Veff mini
Insulation resistance		<b>5000</b> MΩ mini

**ENVIRONMENTAL**

Operating temperature	<b>-40/+100</b> ° C
Hermetic seal	<b>10-8</b> Atm.cm <sup>3</sup> /s
Panel leakage	<b>NA</b>

**OTHERS CHARACTERISTICS**

Assembly instruction **NA**

Others :  
-

**MECHANICAL CHARACTERISTICS**

Center contact retention		
Axial force – Mating end	<b>27</b>	N mini
Axial force – Opposite end	<b>27</b>	N mini
Torque	<b>2.8</b>	N.cm mini
Recommended torque		
Mating	<b>NA</b>	N.cm
Panel nut	<b>210</b>	N.cm
Mating life	<b>500</b>	Cycles mini
Weight	<b>1.400</b>	g

Issue : 0431 B

In the effort to improve our products, we reserve the right to make changes judged to be necessary.

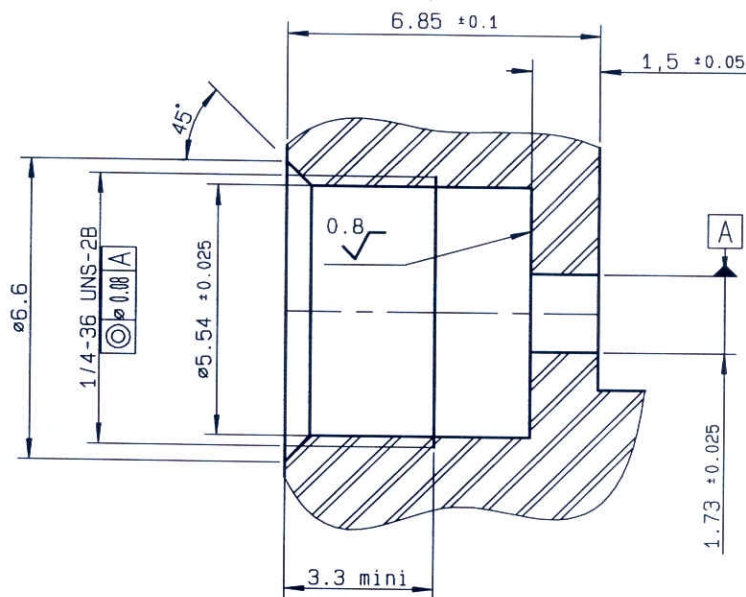


**SCREW ON JACK RECEPTACLE  
HERMETIC - WITH AUXILLIARY CONTACT**

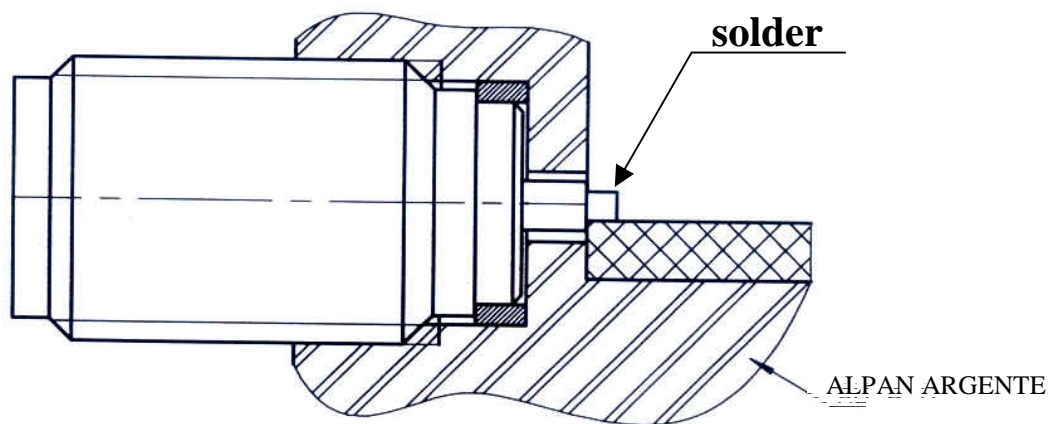
**R125.609.031**

Series : SMA

**PANEL DRILLING**



**MOUNTING**



**Assemble metal gasket onto connector. Screw the whole into the housing.  
Tighten the connector up to 210Ncm+or-10Ncm(use special tooling set  
RADIALL R282.341.002 )Thus the connexion hermeticity is guaranteed at 10-8cc/sec.  
Then solder the pin on the track.  
Beware there is not too much solder.**

Issue : 0431 B

In the effort to improve our products, we reserve the right to make changes judged to be necessary.

