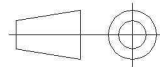
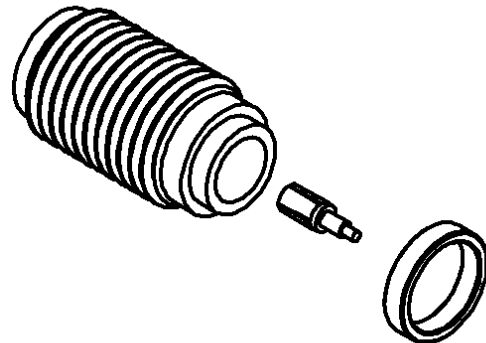
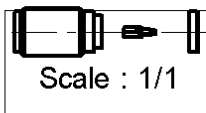
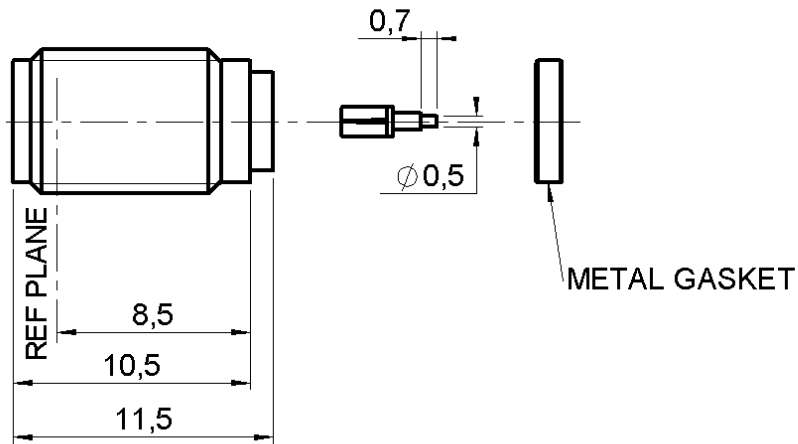


SCREW ON FEMALE RECEPTACLE
HERMETIC - WITH AUXILIARY CONTACT

R125.609.011

Series : SMA



All dimensions are in mm.

COMPONENTS	MATERIALS	PLATINGS (µm)
BODY	STAINLESS STEEL.	PASSIVATED.
CENTER CONTACT	BERYLLIUM COPPER	GOLD 1.3 OVER NICKEL2
OUTER CONTACT	-	-
INSULATOR	PTFE	-
GASKET	ALUMINIUM ALLOY	GOLD 1.3 OVER NICKEL2
OTHERS PARTS	BERYLLIUM COPPER	-
-	-	-
-	-	-

Issue : 1942 D

In the effort to improve our products, we reserve the right to make changes judged to be necessary.



SCREW ON FEMALE RECEPTACLE
HERMETIC - WITH AUXILIARY CONTACT

R125.609.011

Series : SMA

PACKAGING

SPECIFICATION

Standard	Unit	Other
1	-	Contact us

ELECTRICAL CHARACTERISTICS

Impedance		50 Ω
Frequency		0-26.5 GHz
VSWR	1.10* +	0,0100 x F(GHz) Maxi
Insertion loss		0.3* √F(GHz) dB Maxi
RF leakage	- (NA - F(GHz)) dB mini
Voltage rating		500 Veff Maxi
Dielectric withstanding voltage		1000 Veff mini
Insulation resistance		5000 MΩ mini

ENVIRONMENTAL

Operating temperature	-65/+165 ° C
Hermetic seal	10-5 Atm.cm ³ /s
Panel leakage	NA

OTHERS CHARACTERISTICS

Assembly instruction

Others :
 Coaxial Transmission Line Only

MECHANICAL CHARACTERISTICS

Center contact retention		
Axial force – Mating end		27 N mini
Axial force – Opposite end		27 N mini
Torque		2.8 N.cm mini
Recommended torque		
Mating		NA N.cm
Panel nut		280 N.cm
Mating life		500 Cycles mini
Weight		2,0000 g

Issue : 1942 D

In the effort to improve our products, we reserve the right to make changes judged to be necessary.

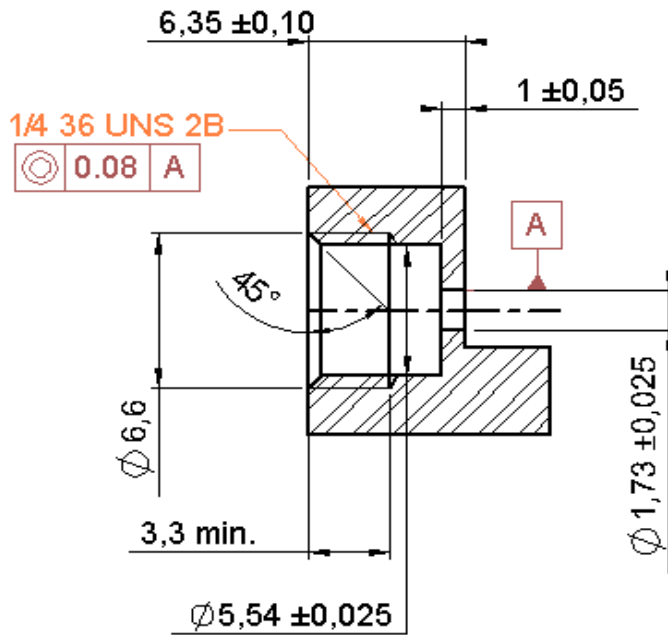


SCREW ON FEMALE RECEPTACLE
HERMETIC - WITH AUXILIARY CONTACT

R125.609.011

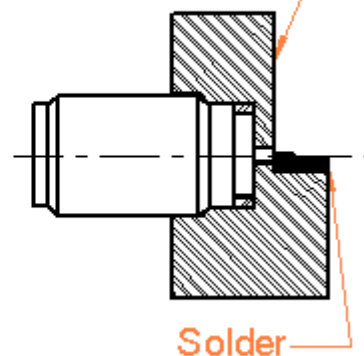
Series : SMA

PANEL DRILLING



RECOMMENDED MOUNTING HOLE DETAIL

Panel deformation less than 25µ



Assemble metal gasket onto connector.
 Screw both parts into the housing.
 Tighten the connector up to 280Ncm +or-
 10Ncm (use special tooling set RADIALL
 R282 341 012).
 Thus the connexion hermeticity is
 guaranteed at $1 \cdot 10^{-5}$ atm. cm³/s.
 Then solder the pin on the track.
 Be careful not to put too much solder.

Issue : 1942 D

In the effort to improve our products, we reserve the right to make changes judged to be necessary.

