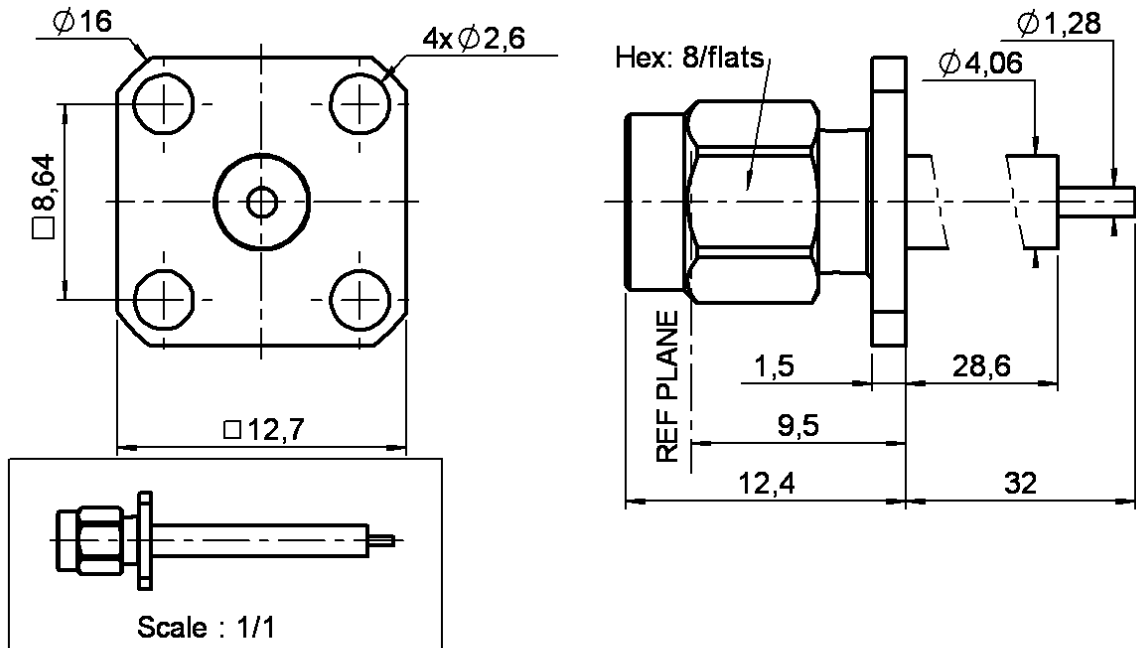


**SQUARE FLANGE RECEPTACLE.
WITH CYLINDRICAL CONTACT**

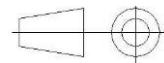
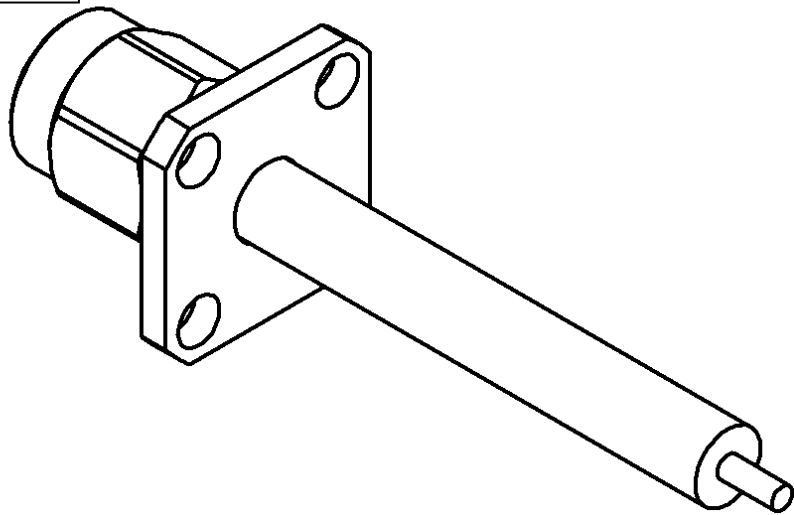
R125.449.001

Series : SMA



PANEL CUT OUT

	mm	
	Maxi	mini
A	4.2	4.1
B	2.7	2.6
C	8.69	8.59



All dimensions are in mm.

COMPONENTS	MATERIALS	PLATINGS (µm)
BODY	STAINLESS STEEL.	PASSIVATED.
CENTER CONTACT	BRASS	GOLD 2.5 OVER NICKEL 2
OUTER CONTACT	-	-
INSULATOR	PTFE	-
GASKET	SILICONE RUBBER	-
OTHERS PARTS	STAINLESS STEEL.	PASSIVATED.
-	-	-
-	-	-

Issue : 08-12-14A A

In the effort to improve our products, we reserve the right to make changes judged to be necessary.



**SQUARE FLANGE RECEPTACLE.
WITH CYLINDRICAL CONTACT**

R125.449.001

Series : SMA

PACKAGING

SPECIFICATION

Standard	Unit	Other
1	-	Contact us

ELECTRICAL CHARACTERISTICS

ENVIRONMENTAL

Impedance		50 Ω
Frequency		0-18 GHz
VSWR	1.06 +	0,0025 x F(GHz) Maxi
Insertion loss		0.07* √F(GHz) dB Maxi
RF leakage	- (60 - F(GHz)) dB Maxi
Voltage rating		500 Veff Maxi
Dielectric withstanding voltage		1000 Veff mini
Insulation resistance		5000 MΩ mini

Operating temperature	-65/+165 ° C
Hermetic seal	NA Atm.cm3/s
Panel leakage	NA

OTHERS CHARACTERISTICS

Assembly instruction **NA**

Others :

* Coaxial Transmission Line Only

MECHANICAL CHARACTERISTICS

Center contact retention		
Axial force – Mating end		27 N mini
Axial force – Opposite end		27 N mini
Torque		2.8 N.cm mini
Recommended torque		
Mating		100 N.cm
Panel nut		NA N.cm
Mating life		500 Cycles mini
Weight		5,0370 g

Issue : 08-12-14A A

In the effort to improve our products, we reserve the right to make changes judged to be necessary.

