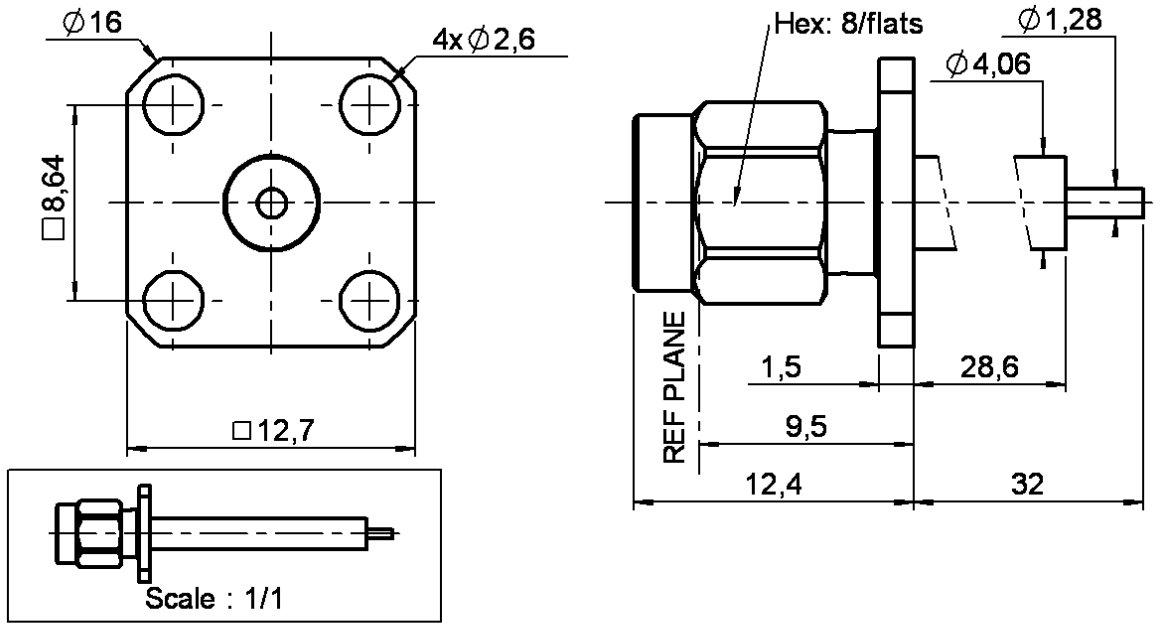
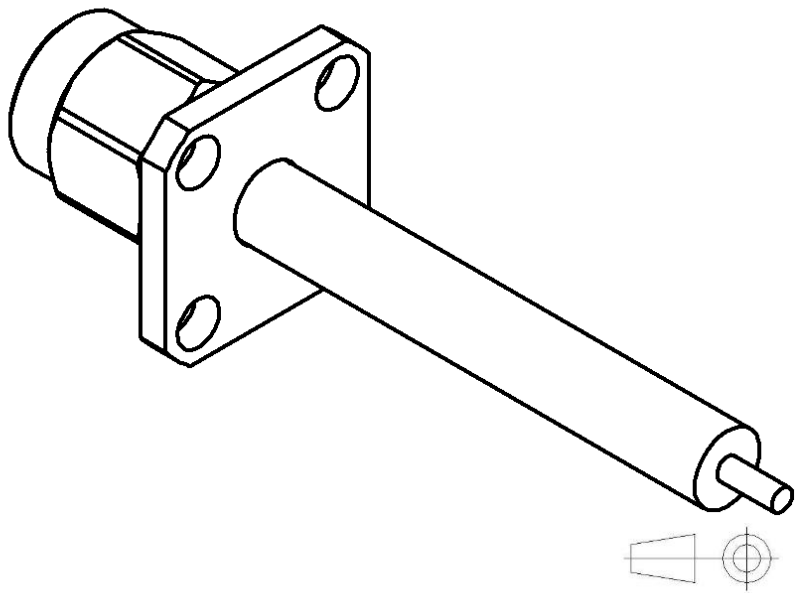


PAGE 1/2	ISSUE 03-12-14Q	SERIES SMA	PART NUMBER R125449000
----------	-----------------	------------	------------------------



PANEL CUT OUT

	mm	
	Maxi	mini
A	4.2	4.1
B	2.7	2.6
C	8.69	8.59



All dimensions are in mm.

COMPONENTS	MATERIALS	PLATING (µm)
Body	STAINLESS STEEL.	GOLD 0.5 OVER NICKEL 2
Center contact	BRASS	GOLD 2.5 OVER NICKEL 2
Outer contact	-	-
Insulator	PTFE	-
Gasket	SILICONE RUBBER	-
Others parts	STAINLESS STEEL.	GOLD 0.5 OVER NICKEL 2
-	-	-
-	-	-

PAGE 2/2	ISSUE 03-12-14Q	SERIES SMA	PART NUMBER R125449000
----------	------------------------	-------------------	-------------------------------

PACKAGING

Standard	Unit	Other
1	Contact us	Contact us

ELECTRICAL CHARACTERISTICS

Impedance		50	Ω
Frequency		0-18	GHz
VSWR	1.06	+	0,0025 x F(GHz) Maxi
Insertion loss		0.07*	√F(GHz) dB Maxi
RF leakage	- (60	- F(GHz)) dB Maxi
Voltage rating		500	Veff Maxi
Dielectric withstanding voltage		1000	Veff mini
Insulation resistance		5000	MΩ mini

ENVIRONMENTAL

Operating temperature	-65/+165	°C
Hermetic seal	NA	Atm.cm3/s
Panel leakage	NA	

MECHANICAL CHARACTERISTICS

Center contact retention			
Axial force – Mating End		27	N mini
Axial force – Opposite end		27	N mini
Torque		2.8	N.cm mini
Recommended torque			
Mating		100	N.cm
Panel nut		NA	N.cm
Mating life		500	Cycles mini
Weight		5,0370	g

SPECIFICATION

OTHER CHARACTERISTICS

Assembly instruction:**NA**

Others:

*** Coaxial Transmission Line Only**