

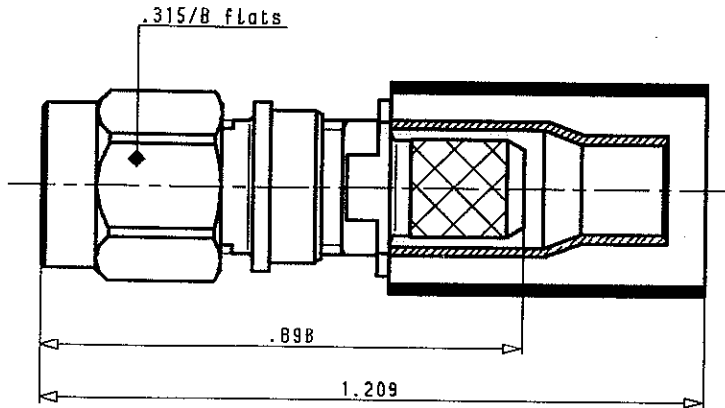
STRAIGHT PLUG CRIMP AND SOLDER TYPE  
FOR CABLE F1703/65-93 FILECA

Issue : 9050

Page 1 / 1

SERIES: SMA

PEN 90-1205-006



WEIGHT oz ( g)

CABLES : Fileca F1703/65-93

CHARACTERISTICS

NOMINAL IMPEDANCE	50 $\Omega$
FREQUENCY RANGE	0-12.4 GHz
TEMPERATURE RATING	-65/+165 °C
VSWR	AD Max
RF INSERTION LOSS	AD /F-dB Maxi
VOLTAGE RATING	335 Vrms Maxi
DIELECTRIC WITHSTANDING VOLTAGE	1000 Vrms mini
INSULATION RESISTANCE	5000 Mo mini
HERMETIC SEAL	- cc/s Atm.cm3/s
LEAKAGE (pressurized only)	- psi MPa

STANDARDISATION

CABLE RETENTION	20.25 Lb mini 90 N
CENTER CONTACT RETENTION	
Axial force - mating end	6.075 Lb mini 27 N
Axial force - opposite end	6.075 Lb mini 27 N
Torque (Min)	NA Inch.oz cm.N
RECOMMENDED TORQUES	
Mating	10.632 Inch.Lb 120 cm.N
Panel nut	NA Inch.Lb cm.N
Cleap nut	NA Inch.Lb cm.N

CONSTRUCTION

CONNECTOR PARTS	MATERIALS	FINISH
BODY	STAINLESS STEEL	PASSIVATED
OUTER CONTACT	-	-
CENTER CONTACT	BRONZE	GOLD
INSULATORS	PTFE	-
-	-	-
-	-	-
-	-	-
-	-	-

ISSUE	REVISION No	DESCRIPTION	BY	DATE
.	.	.	.	.
.	.	.	.	.
.	.	.	.	.
.	.	.	.	.

Initiated on 14-DEC-90

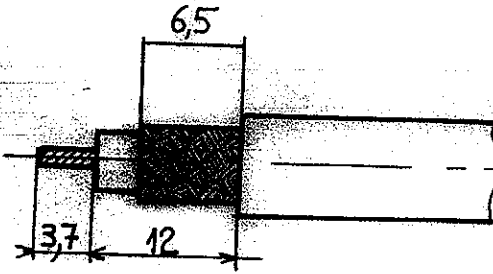
The information given here is subject to change without notice. Design changes may be in order to improve the product



Superseded on -----



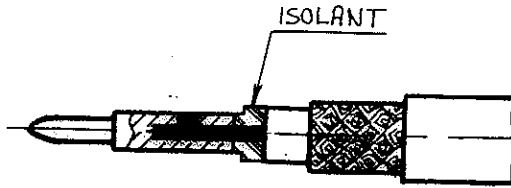
Dénuder le câble



Strip off the cable.

- MONTER L'ISOLANT

- Monter la broche sur l'âme du câble et souder la broche.

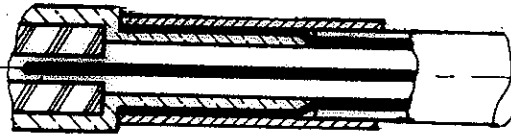


- Put the insulator

- Put the pin on the inner conductor of the cable and solder the pin.

- Sertir et souder la Ferrule  
Outillage de sertissage :

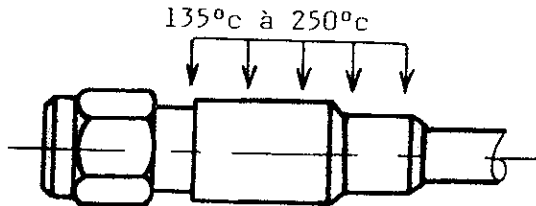
Pince : R 282.216  
Hex : 5,40 . lg 10



Crimp and solder the Ferrule

Crimping tool :  
R 282-216  
Hex 5,40 . lg 10

Retreindre la gaine thermorétractable



Shrink the heat shrinking sleeve

Ces renseignements sont donnés à titre indicatif. Dans le but constant d'améliorer nos produits, nous réservons le droit d'apporter toute modification sans préavis.

2111 2 - 786

DOSSIER D'ETUDE	NOM	Dessiné	Vérité	MODIFICATIONS			
		DATE					
82.350.001	Guillomin						
2 / 2		17.11.87					
	VISA	<i>Guillomin</i>					