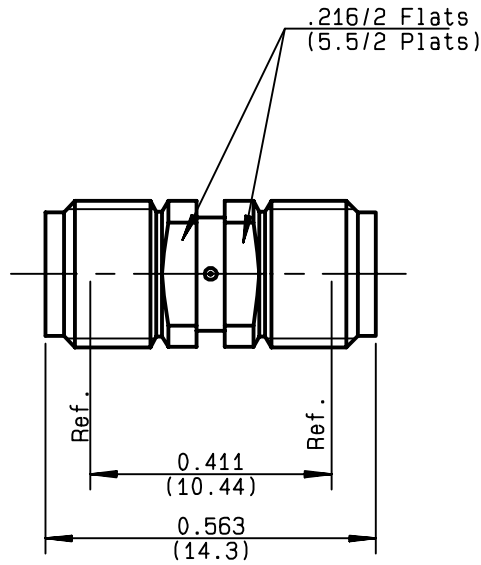


FEMALE-FEMALE ADAPTOR

R124.705.000

SERIES SMA-COM



NOMINAL IMPEDANCE	50 Ω	CABLES :		
FREQUENCY RANGE	0-18 GHz			
TEMPERATURE RATING	-65/+165 °C			
V.S.W.R	1.05 + .005 x F(GHz)Maxi			
RF INSERTION LOSS	0.05 √F(GHz) dB Maxi			
VOLTAGE RATING	500 Veff Maxi			
DIELECTRIC WITHSTANDING VOLTAGE	1000 Veff Mini			
INSULATION RESISTANCE	5000 MΩMini		OTHERS CHARACTERISTICS	
HERMETIC SEAL	NA Atm.cm ³ /s		CABLE RETENTION	NA N Mini
LEAKAGE (pressurized only)	NA		CENTER CONTACT RETENTION	
MECHANICAL DURABILITY	100 Cycles	Axial force - mating end	27 N Mini	
WEIGHT	gr	Axial force - opposite end	27 N Mini	
SPECIFICATION		Torque	2.8 cm.N Mini	
		RECOMMENDED TORQUES		
		Mating	NA cm.N	
		Panel nut	NA cm.N	
		Clamp nut	NA cm.N	

CONNECTOR PARTS	MATERIALS	FINISH	(all values are given in micrometers)
BODY	BRASS	BBR 2	
OUTER CONTACT			
CENTER CONTACT	BERYLLIUM COPPER	GOLD 1.3 OVER COPPER 2.5	
INSULATOR	PTFE	-	
GASKET		-	
OTHERS PIECES			

ISSUE	CREATION DATE	FILE PART-NUMBER
9847A00	17/07/1996	96-1200-084



TRIQUES

The information given here is subject to change without notice. Design changes may be in order to improve the product .

Connect to the future