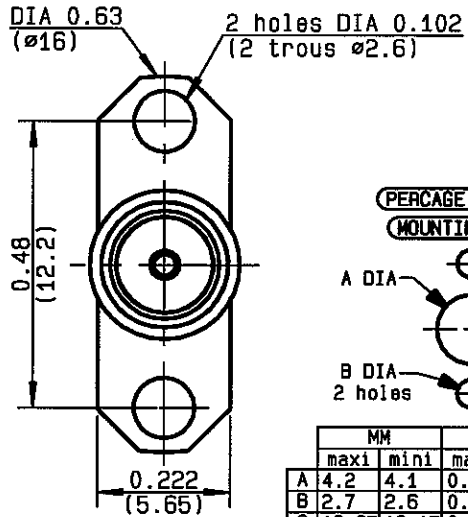
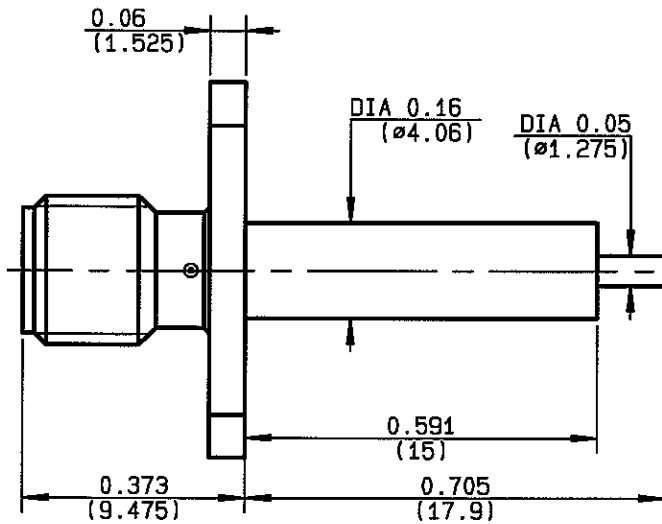
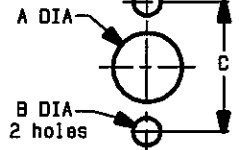


**ADJUST. 2 HOLES FLANGE JACK RECEPTACLE
WITH CYLINDRICAL CONTACT - PACK. 100**

R124.461.273
SERIES SMA-COM



PERCAGE PANNEAU
MOUNTING HOLE



	MM		INCH	
	maxi	mini	maxi	mini
A	4.2	4.1	0.165	0.161
B	2.7	2.6	0.106	0.102
C	12.25	12.15	0.482	0.478

NOMINAL IMPEDANCE	50 Ω
FREQUENCY RANGE	0-18 GHz
TEMPERATURE RATING	-65/+165 °C
V.S.W.R	1.04 + .0045 x F(GHz)Maxi
RF INSERTION LOSS	0.05 √F(GHz) dB Maxi
VOLTAGE RATING	500 Veff Maxi
DIELECTRIC WITHSTANDING VOLTAGE	1000 Veff Mini
INSULATION RESISTANCE	5000 MΩMini
HERMETIC SEAL	NA Atm.cm ³ /s
LEAKAGE (pressurized only)	NA
MECHANICAL DURABILITY	100 Cycles
WEIGHT	gr
SPECIFICATION	

CABLES :

PACKAGING		
Standard	Unit	Other
100	'W' option	Contact us

OTHERS CHARACTERISTICS

cc17.9-is15-tro12.7-cr

CABLE RETENTION	NA	N Mini
CENTER CONTACT RETENTION		
Axial force - mating end	27	N Mini
Axial force - opposite end	27	N Mini
Torque	2.8	cm.N Mini
RECOMMENDED TORQUES		
Mating	NA	cm.N
Panel nut	NA	cm.N
Clamp nut	NA	cm.N

CONNECTOR PARTS

MATERIALS

FINISH

(all values are given in micrometers)

BODY
OUTER CONTACT
CENTER CONTACT
INSULATOR
GASKET
OTHERS PIECES

BRASS
BERYLLIUM COPPER
PTFE

GOLD 0.5 OVER NICKEL 2
GOLD 1.3 OVER NICKEL 2
-
-

LELEU

ISSUE 0443A00	CREATION DATE 13/02/1997	FILE PART-NUMBER 95-0105-088
-------------------------	------------------------------------	--



The information given here is subject to change without notice.
Design changes may be in order to improve the product.

Connect to the future