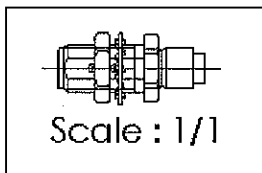
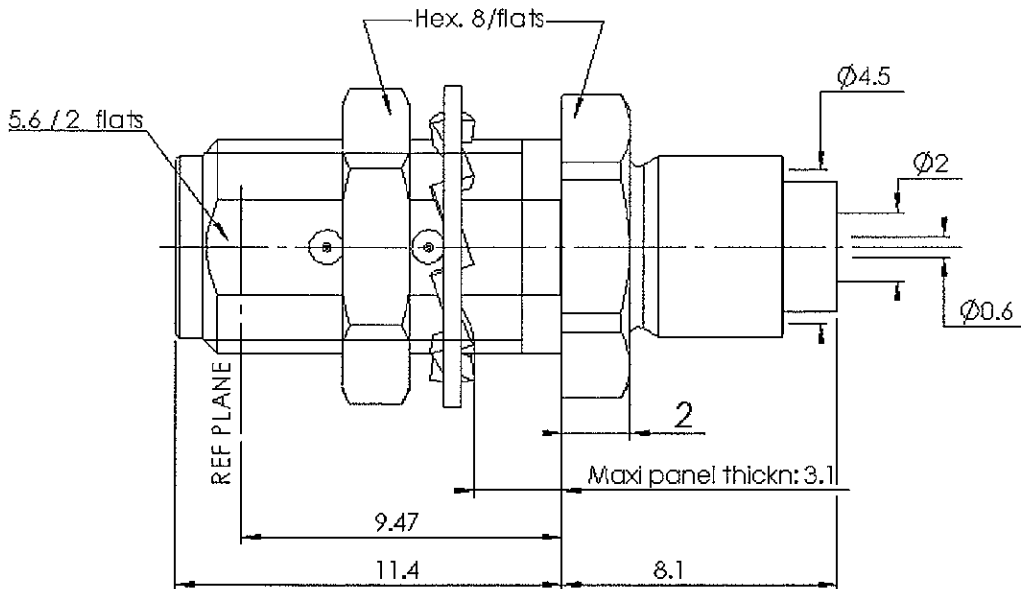


STRAIGHT BULKHEAD JACK INVERSED CRIMP

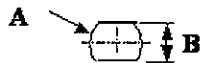
R124.310.020

CABLE 2/50 S

Series : SMA-COM

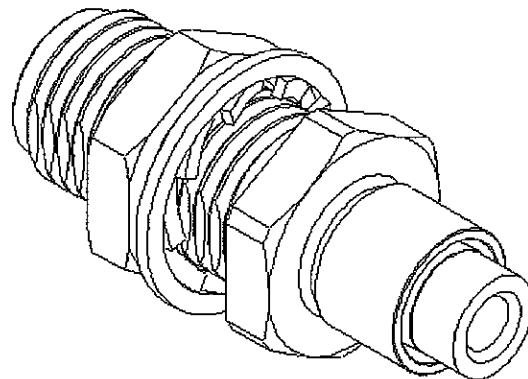


PANEL CUT OUT



	mm	
	Maxi	mini
A	6.5	6.4
B	5.8	5.7

All dimensions are in mm.



COMPONENTS	MATERIALS	PLATINGS (µm)
BODY	BRASS	BBR 2
CENTER CONTACT	BERYLLIUM COPPER	GOLD 1.3 OVER COPPER 2.5
OUTER CONTACT	-	-
INSULATOR	PTFE	-
GASKET	-	-
OTHERS PARTS	BRASS	BBR 2
-	-	-
-	-	-

Issue : 0542 C

In the effort to improve our products, we reserve the right to make changes judged to be necessary.



STRAIGHT BULKHEAD JACK INVERSED CRIMP

R124.310.020

CABLE 2/50 S

Series : SMA-COM

PACKAGING

Standard	Unit	Other
100	'W' option	Contact us

SPECIFICATION

CABLE ASSEMBLY

Stripping	a	b	c	d	e	f
mm	3.00	10.0	0.00	1.50	5.00	0.00

ELECTRICAL CHARACTERISTICS

Impedance		50 Ω
Frequency		0-12.4 GHz
VSWR	*1.6 +	0.000 x F(GHz) Maxi
Insertion loss		0.05 √F(GHz) dB Maxi
RF leakage	- (60 - F(GHz)) dB Maxi
Voltage rating		170 Veff Maxi
Dielectric withstanding voltage		500 Veff mini
Insulation resistance		5000 MΩ mini

Assembly instruction :

Recommended cable(s)
 RG 178
 KX 21
 RG 196
 RG 178 LC

N

Characteristics indicated on this data sheet are those that can be achieved with the highest performance cable. Intrinsic limitations of the cable may diminish the performance of the assembly

Cable retention

- pull off **45** N mini
 - torque **NA** N.cm

MECHANICAL CHARACTERISTICS

Center contact retention		
Axial force – Mating end	NA	N mini
Axial force – Opposite end	15	N mini
Torque	NA	N.cm mini

Recommended torque		
Mating	NA	N.cm
Panel nut	150	N.cm
Clamp nut	NA	N.cm
A/F clamp nut	0.000	mm

Mating life	100	Cycles mini
Weight	3.550	g

TOOLING

Part Number	Description	Hexagon
R282.235.009	CRIMPING DIES	4.53
R282.293.000	CRIMPING TOOL	-
R282.211.000	CRIMPING TOOL	4.53

OTHERS CHARACTERISTICS

* VSWR max: up to 2 GHz

ENVIRONMENTAL

Operating temperature	-65/+165	°C
Hermetic seal	NA	Atm.cm3/s
Panel leakage	NA	

Issue : 0542 C

In the effort to improve our products, we reserve the right to make changes judged to be necessary.



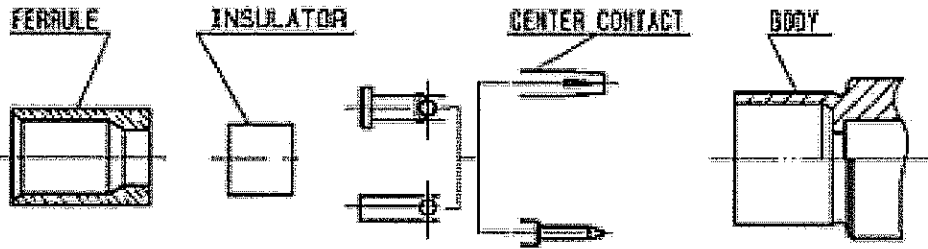
RADIALL®

STRAIGHT BULKHEAD JACK INVERSED CRIMP

R124.310.020

CABLE 2/50 S

Series : SMA-COM



①

Strip the cable .

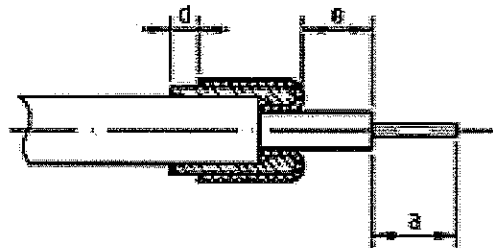
-
-
-
-



②

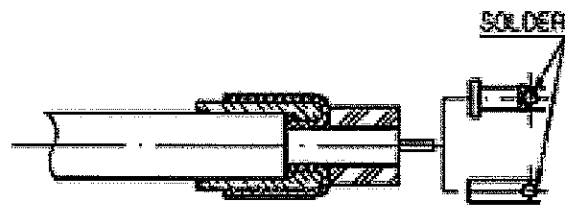
Slide on the ferrule until it bottoms against the jacket .
Fan the braid.
Fold back braid and trim off surplus braid.
Trim the inner conductor as shown.

-
-
-



③

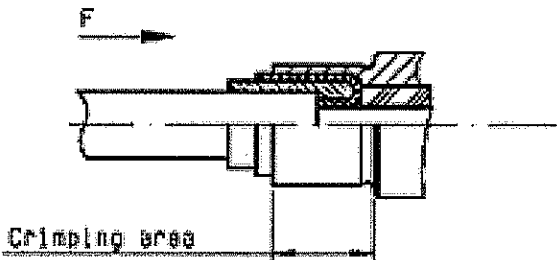
Slide the spacer .
Slide on the center contact until it bottoms against cable dielectric .
Solder or crimp center contact
(See connector TD S)



④

Slide sub-assembly into the connector body with the ferrule.

(See connector TD S)



Issue : 0542 C

In the effort to improve our products, we reserve the right to make changes judged to be necessary.



RADIALL®