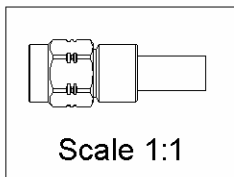
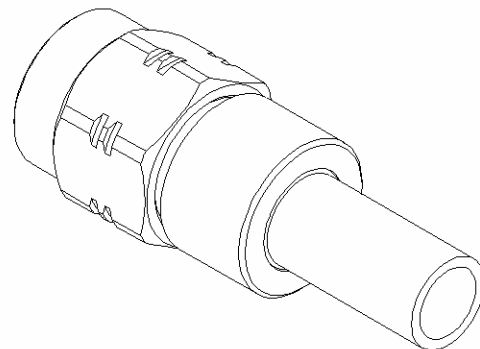
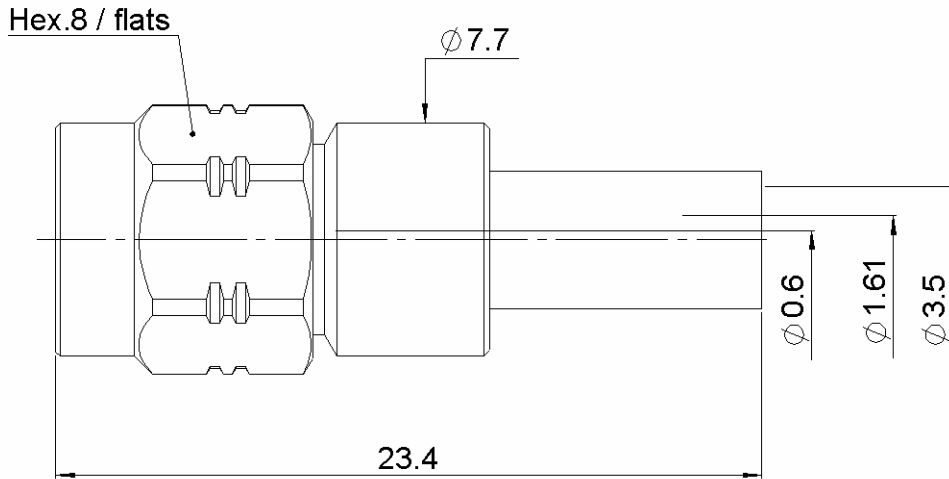


**STRAIGHT PLUG FULL CRIMP TYPE**

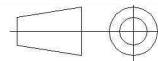
**R124.072.223**

**CABLE 2.6/50 D**

Series : SMA-COM



All dimensions are in mm.



| COMPONENTS     | MATERIALS | PLATING (µm)     |
|----------------|-----------|------------------|
| BODY           | BRASS     | GOLD OVER NICKEL |
| CENTER CONTACT | BRASS     | GOLD OVER COPPER |
| OUTER CONTACT  | -         | -                |
| INSULATOR      | PTFE      | -                |
| GASKET         | -         | -                |
| OTHERS PARTS   | BRASS     | GOLD OVER NICKEL |
| -              | -         | -                |
| -              | -         | -                |

Issue : 1145 B

In the effort to improve our products, we reserve the right to make changes judged to be necessary.



**STRAIGHT PLUG FULL CRIMP TYPE**

**R124.072.223**

**CABLE 2.6/50 D**

Series : SMA-COM

**PACKAGING**

| Standard   | Unit              | Other             |
|------------|-------------------|-------------------|
| <b>100</b> | <b>'W' option</b> | <b>Contact us</b> |

**SPECIFICATION**

**ELECTRICAL CHARACTERISTICS**

|                                 |               |                             |
|---------------------------------|---------------|-----------------------------|
| Impedance                       |               | <b>50</b> Ω                 |
| Frequency                       |               | <b>0-12.4</b> GHz           |
| VSWR                            | <b>1.15</b> + | <b>0.0200</b> x F(GHz) Maxi |
| Insertion loss                  |               | <b>0.05</b> √F(GHz) dB Maxi |
| RF leakage                      | - (           | <b>60</b> - F(GHz)) dB Maxi |
| Voltage rating                  |               | <b>250</b> Veff Maxi        |
| Dielectric withstanding voltage |               | <b>750</b> Veff mini        |
| Insulation resistance           |               | <b>5000</b> MΩ mini         |

**CABLE ASSEMBLY**

| Stripping | a    | b    | c    | d    | e    | f    |
|-----------|------|------|------|------|------|------|
| mm        | 3.00 | 6.30 | 10.8 | 0.00 | 7.80 | 0.00 |

Assembly instruction : **Crimp 02**

Recommended cable(s)  
RD 316  
K02252D

Characteristics indicated on this data sheet are those that can be achieved with the highest performance cable. Intrinsic limitations of the cable may diminish the performance of the assembly

Cable retention

- pull off **110** N mini  
- torque - N.cm

**MECHANICAL CHARACTERISTICS**

|                            |           |           |
|----------------------------|-----------|-----------|
| Center contact retention   |           |           |
| Axial force – Mating end   | <b>18</b> | N mini    |
| Axial force – Opposite end | <b>18</b> | N mini    |
| Torque                     | <b>NA</b> | N.cm mini |

**TOOLING**

| Part Number  | Description                    | Hexagon         |
|--------------|--------------------------------|-----------------|
| .            | .                              | .               |
| R282.271.000 | CRIMPING TOOL                  | 3.84            |
| R282.235.037 | CRIMPING DIES                  | 3.84            |
| R282.293.000 | CRIMPING TOOL<br>M22520/5-01   | -               |
| R282.967.012 | POSITONER FOR<br>CRIMPING TOOL | -               |
| R282.281.000 | CRIMPING TOOL                  | 2x4 (pos.<br>5) |

|                    |               |      |
|--------------------|---------------|------|
| Recommended torque |               |      |
| Mating             | <b>60</b>     | N.cm |
| Panel nut          | <b>NA</b>     | N.cm |
| Clamp nut          | <b>NA</b>     | N.cm |
| A/F clamp nut      | <b>0.0000</b> | mm   |

|             |               |             |
|-------------|---------------|-------------|
| Mating life | <b>100</b>    | Cycles mini |
| Weight      | <b>2.6400</b> | g           |

**ENVIRONMENTAL**

|                       |                 |           |
|-----------------------|-----------------|-----------|
| Operating temperature | <b>-65/+165</b> | ° C       |
| Hermetic seal         | <b>NA</b>       | Atm.cm3/s |
| Panel leakage         | <b>NA</b>       |           |

**OTHER CHARACTERISTICS**

Issue : 1145 B

In the effort to improve our products, we reserve the right to make changes judged to be necessary.

