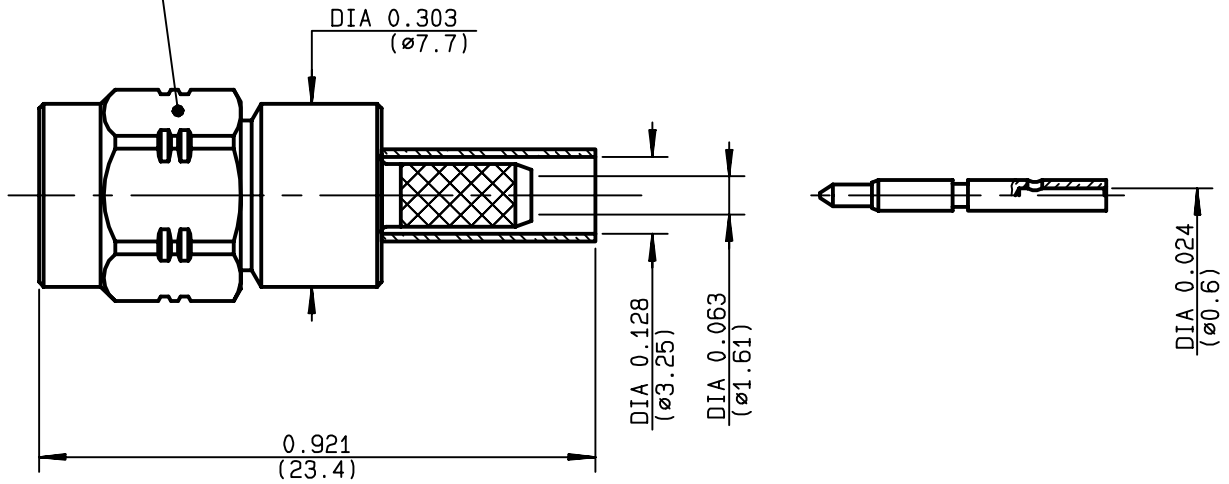


**STRAIGHT PLUG FULL CRIMP-TYPE  
CABLE 2.6/50 S**

**R124.071.120**  
**SERIES SMA-COM**

Hex. .315/flats  
(Hex. 8/plats)



NOMINAL IMPEDANCE	<b>50</b> Ω
FREQUENCY RANGE	<b>0-12.4</b> GHz
TEMPERATURE RATING	<b>-65/+165</b> °C
V.S.W.R	<b>1.15</b> + <b>.02</b> x F(GHz)Maxi
RF INSERTION LOSS	<b>0.05</b> √F(GHz) dB Maxi
VOLTAGE RATING	<b>250</b> Veff Maxi
DIELECTRIC WITHSTANDING VOLTAGE	<b>750</b> Veff Mini
INSULATION RESISTANCE	<b>5000</b> MΩMini
HERMETIC SEAL	<b>NA</b> Atm.cm <sup>3</sup> /s
LEAKAGE (pressurized only)	<b>NA</b>
MECHANICAL DURABILITY	<b>100</b> Cycles
WEIGHT	<b>4.4</b> gr
SPECIFICATION	

CABLES : **KX 22A**  
**RG 188**  
**RG 316**

OTHERS CHARACTERISTICS

CABLE RETENTION	<b>90</b> N Mini
CENTER CONTACT RETENTION	
Axial force - mating end	<b>18</b> N Mini
Axial force - opposite end	<b>18</b> N Mini
Torque	<b>NA</b> cm.N Mini
RECOMMENDED TORQUES	
Mating	<b>60</b> cm.N
Panel nut	<b>NA</b> cm.N
Clamp nut	<b>NA</b> cm.N

CONNECTOR PARTS	MATERIALS	FINISH	(all values are given in micrometers)
BODY	BRASS	BBR 2	
OUTER CONTACT			
CENTER CONTACT	BRASS	GOLD 1.3 OVER COPPER 2.5	
INSULATOR	PTFE	-	
GASKET		-	
OTHERS PIECES	BRASS	BBR 2	

ISSUE	CREATION DATE	FILE PART-NUMBER
<b>9847B00</b>	<b>20/05/1996</b>	<b>96-1000-009</b>



TRIQUES

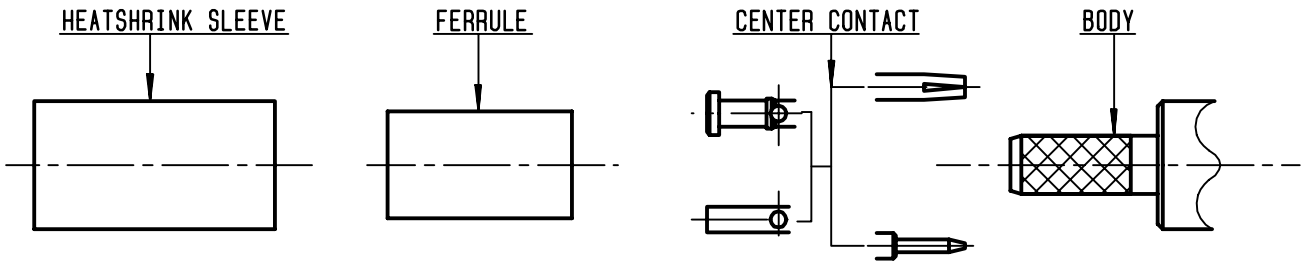
The information given here is subject to change without notice.  
Design changes may be in order to improve the product .

*Connect to the future*



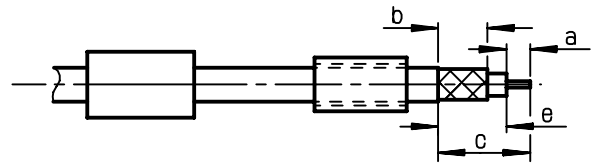
**R124.071.120**

ISSUE 9847B00 SERIES SMA-COM



①

Slide heatshrink sleeve (R280.637.020 - Option) and ferrule onto cable .  
Strip the cable .

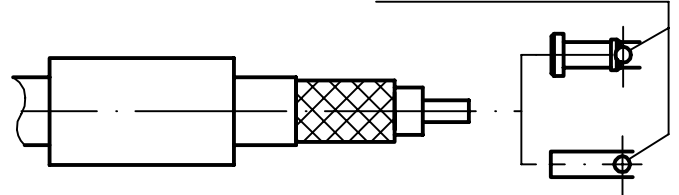


Stripping	a	b	c	d	e
inch	0.118	0.248	0.425	0	0.307
mm	3	6.3	10.8		7.8

②

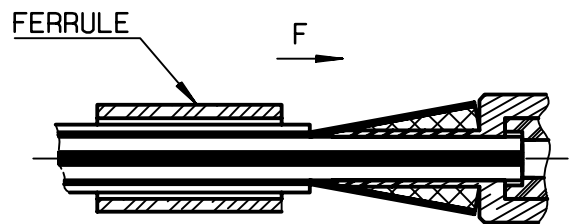
Slide center contact on until it bottoms against cable dielectric .  
Solder or crimp center contact .  
Crimping tool : R282.281.000 ( 2 x 4 pts ) position 5  
+ positionner R282.967.012 .

SOLDER / CRIMPING



③

Fan the braid .  
Slide cable into the body by overtaking the insulator hard mounting point .  
Slide ferrule over the braid .  
(In direction F)



④

Crimp the ferrule with crimping tool R282.271.000 ( Hex. : .128 )(3.25) or crimping tool R282.293.000 ( M22520/5-01 ) + dies R282.235.003 ( M22520/5-03 )  
Cut excess of braid if necessary .  
Slide sleeve over ferrule and heatshrink in place (Option)

Shrink the heatshrink sleeve

