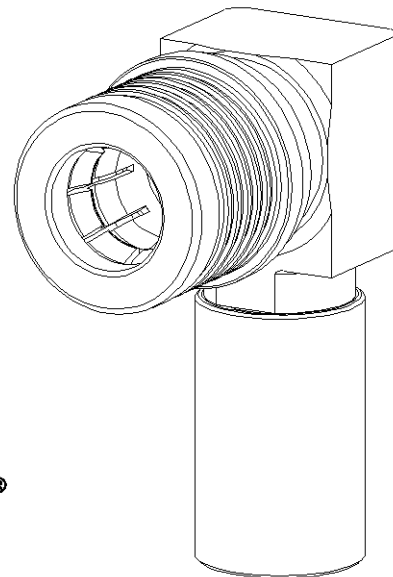
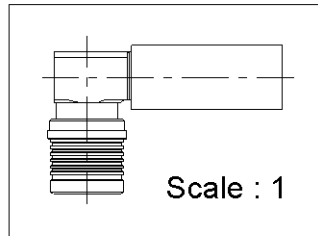
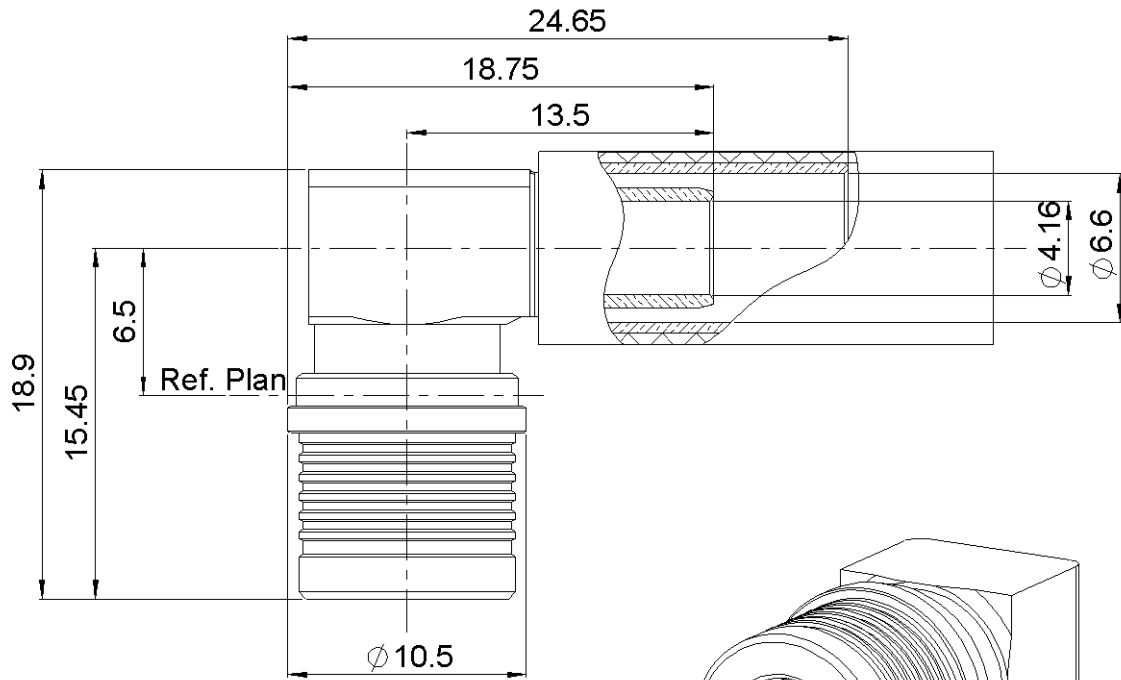
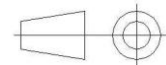


PAGE 1/4	ISSUE 15-05-15C	SERIES WQMA	PART NUMBER R123W176000
----------	-----------------	-------------	-------------------------



All dimensions are in mm.



COMPONENTS	MATERIALS	PLATING (µm)
Body	<b>BRASS</b>	<b>BBR</b>
Center contact	<b>BRASS</b>	<b>NPGR</b>
Outer contact	<b>BRONZE</b>	<b>BBR</b>
Insulator	<b>PTFE</b>	
Gasket	<b>SILICONE</b>	
Others parts	<b>BRASS</b>	<b>BBR</b>
-	-	-
-	-	-

PAGE 2/4	ISSUE 15-05-15C	SERIES WQMA	PART NUMBER R123W176000
----------	-----------------	-------------	-------------------------

### PACKAGING

Standard	Unit	Other
100	Contact us	Contact us

### ELECTRICAL CHARACTERISTICS

Impedance	50	Ω
Frequency	0-6	GHz
VSWR	1.02 + 0.0200	x F(GHz) Maxi
Insertion loss	0.05	√F(GHz) dB Maxi
RF leakage	-(***80	- F(GHz)) dB Maxi
Voltage rating	335	Veff Maxi
Dielectric withstanding voltage	1000	Veff mini
Insulation resistance	5000	MΩ mini

### MECHANICAL CHARACTERISTICS

Center contact retention		
Axial force – Mating End	18	N mini
Axial force – Opposite end	27	N mini
Torque	NA	N.cm mini
Recommended torque		
Mating	NA	N.cm
Panel nut	NA	N.cm
Clamp nut	NA	N.cm
A/F clamp nut	0.0000	mm
Mating life	100	Cycles mini
Weight	8.7500	g

### ENVIRONMENTAL

Operating temperature	-40/+105	°C
Hermetic seal	NA	Atm.cm3/s
Panel leakage	NA	

### SPECIFICATION

### CABLE ASSEMBLY

Stripping	a	b	c	d	e	f
mm	3.3	6.7	15	0	11.7	0

Assembly instruction:

Recommended cable(s)

**ECO 230**

Characteristics indicated on this data sheet are those that can be achieved with the highest performance cable. Intrinsic limitations of the cable may diminish the performance of the assembly

Cable retention

- pull off	220	N mini
- torque	NA	N.cm

### TOOLING

Part Number	Description	Hexagon
R282223000	CRIMPING TOOL	6,48
R282235013	CRIMPING DIES	6,48
R282293000	CRIMPING TOOL M22520/5-01	
R282761000	ASSEMBLY FIXTURE FOR	WQMA END CAP

### OTHER CHARACTERISTICS

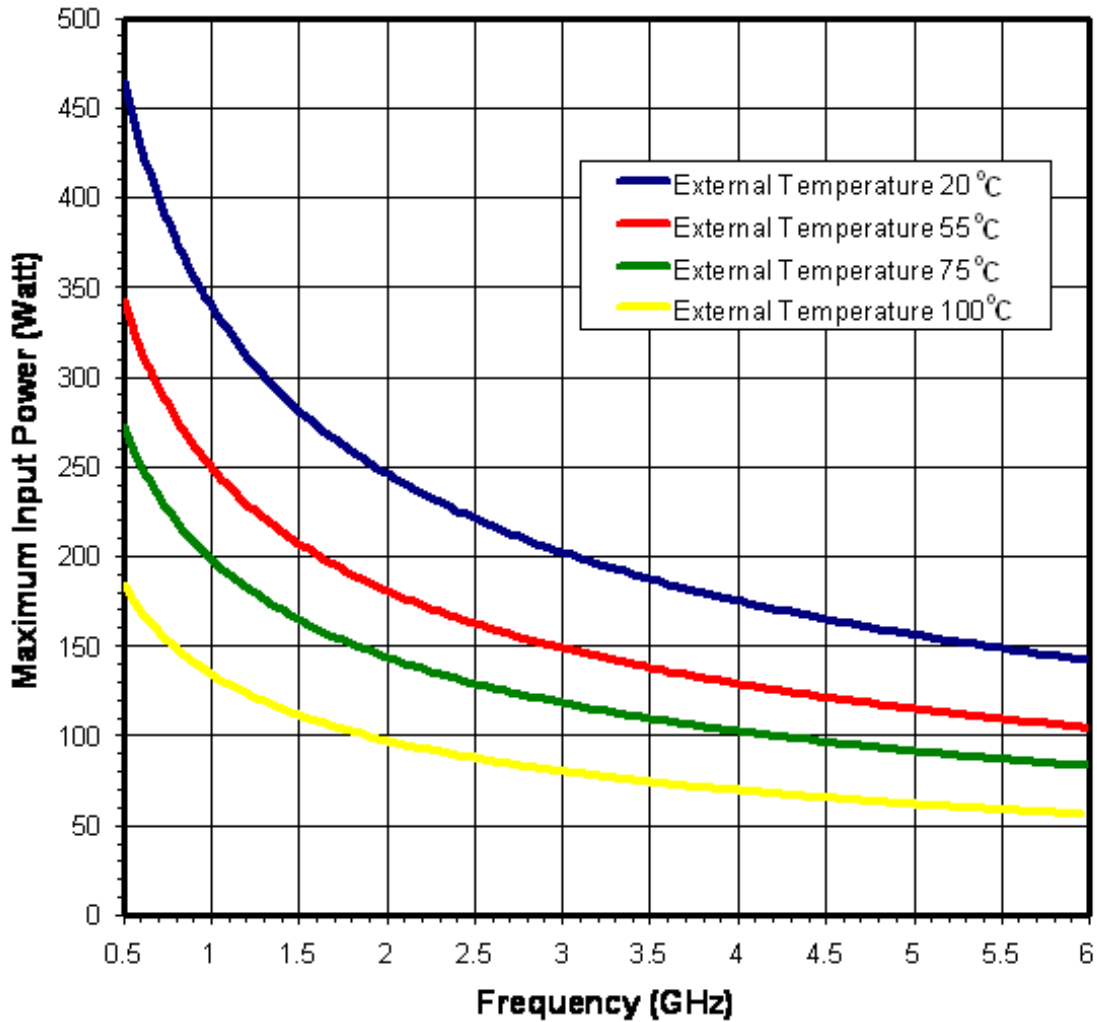
**\*Interface ingress protection: IP68 (IEC60529) mated condition**

**\*\*Intermod.: -120dBc at 1.8GHz (2 x 20W)**

**\*\*\*RF leakage(interface): 3<F<6GHz:>70dB**

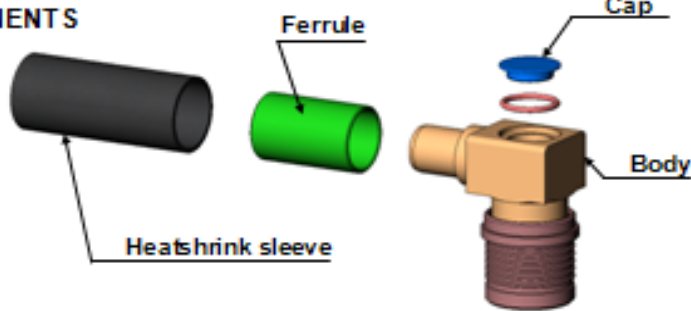
PAGE 3/4	ISSUE 15-05-15C	SERIES WQMA	PART NUMBER R123W176000
----------	-----------------	-------------	-------------------------

## POWER DERATING

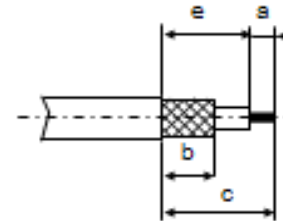


PAGE 4/4	ISSUE 15-05-15C	SERIES WQMA	PART NUMBER R123W176000
----------	-----------------	-------------	-------------------------

**COMPONENTS**



**STRIPPING DIMENSIONS**



**1**

Slide the heatshrink sleeve onto the cable.  
Slide the ferrule onto the cable.  
Strip the cable.

**4**

Crimp the ferrule with crimping tool (see connector IUS).  
Solder the inner conductor.

**2**

Fan the braid.

**5**

Mount the connector with crimping cable into the mounting tool.  
Place the gasket and the cap into the body.

**3**

Push the connector body under the braid.  
Slide the ferrule over the braid.

**6**

Press on the cap flush or slightly below the surface of the body assembly.  
Slide the heatshrink sleeve over the ferrule and over the back of the body. Use if possible a pistol warm air. (Recommended temperature: 250 at 300°C)  
Uniform heating on all the surface of the heatshrink sleeve.