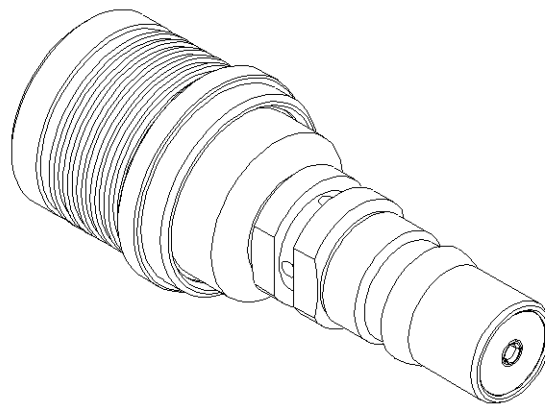
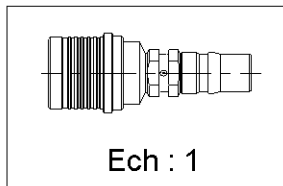
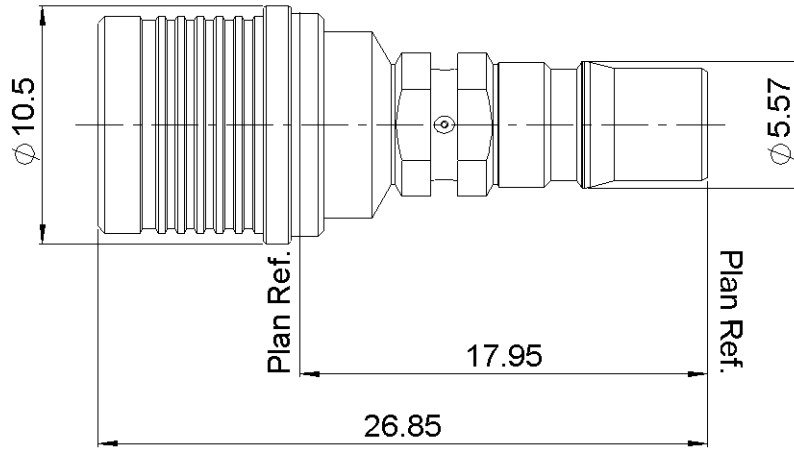
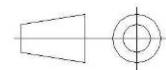


PAGE 1/2	ISSUE 18-06-15F	SERIES QMA	PART NUMBER R123704000
----------	-----------------	------------	------------------------



All dimensions are in mm.



COMPONENTS	MATERIALS	PLATING (µm)
Body	<b>BRASS.</b>	<b>BBR</b>
Center contact	<b>BERYLLIUM COPPER</b>	<b>GOLD OVER COPPER</b>
Outer contact	<b>BRONZE</b>	<b>BBR</b>
Insulator	<b>PTFE</b>	
Gasket	-	
Others parts	<b>BRASS.</b>	<b>BBR</b>
-	-	-
-	-	-

PAGE 2/2	ISSUE 18-06-15F	SERIES QMA	PART NUMBER R123704000
----------	-----------------	------------	------------------------

### PACKAGING

Standard	Unit	Other
100	Contact us	Contact us

### ELECTRICAL CHARACTERISTICS

Impedance		<b>50</b>	Ω
Frequency		<b>0-6</b>	GHz
VSWR	<b>1.05</b>	<b>+</b>	<b>0.0120</b> x F(GHz) Maxi
Insertion loss		<b>.05</b>	√F(GHz) dB Maxi
RF leakage	- (	<b>*80</b>	- F(GHz) dB Maxi
Voltage rating		<b>500</b>	Veff Maxi
Dielectric withstanding voltage		<b>1000</b>	Veff mini
Insulation resistance		<b>5000</b>	MΩ mini

### ENVIRONMENTAL

Operating temperature	<b>-40/+105</b>	°C
Hermetic seal	<b>NA</b>	Atm.cm3/s
Panel leakage	<b>NA</b>	

### MECHANICAL CHARACTERISTICS

Center contact retention			
Axial force – Mating End		<b>27</b>	N mini
Axial force – Opposite end		<b>27</b>	N mini
Torque		<b>2.8</b>	N.cm mini
Recommended torque			
Mating		<b>NA</b>	N.cm
Panel nut		<b>NA</b>	N.cm
Mating life		<b>100</b>	Cycles mini
Weight		<b>5.7000</b>	g

### SPECIFICATION

### OTHER CHARACTERISTICS

Assembly instruction:

Others:

**\*RF Leakage Inter. only:3<F<6GHz >70dB**

**\*\*PIM>-120 dBc at 1.8GHz (2x20W)**