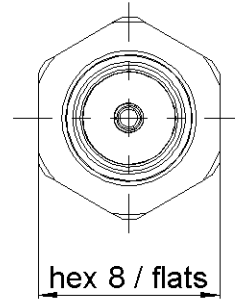
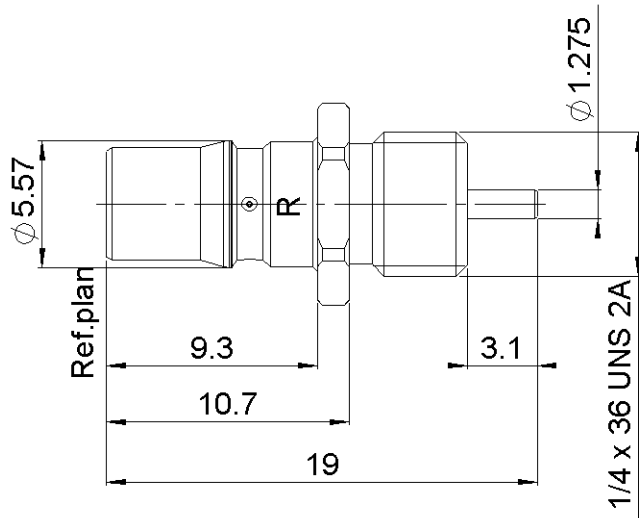


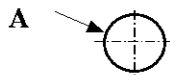
**SCREW ON RECEPTACLE**  
**FRONT MOUNTING.**

**R123.555.230**

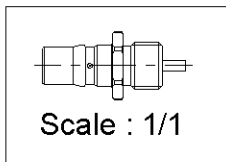
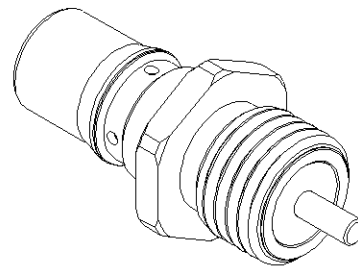
Series : QMA



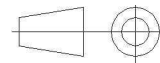
**PANEL CUT OUT**



**A** 1/4-36-UNS-2B



All dimensions are in mm.



COMPONENTS	MATERIALS	PLATING (µm)
BODY	BRASS	BBR
CENTER CONTACT	BERYLIUM COPPER	NPGR
OUTER CONTACT		
INSULATOR	PTFE	
GASKET		
OTHERS PARTS		
.	.	.
.	.	.

Issue : 1234 B

In the effort to improve our products, we reserve the right to make changes judged to be necessary.



**SCREW ON RECEPTACLE  
FRONT MOUNTING.**

**R123.555.230**

Series : QMA

**PACKAGING**

**SPECIFICATION**

Standard	Unit	Other
<b>100</b>	<b>'W' option</b>	<b>Contact us</b>

**ELECTRICAL CHARACTERISTICS**

**ENVIRONMENTAL**

Impedance	<b>50</b>	$\Omega$
Frequency	<b>0-6</b>	GHz
VSWR	<b>*1.04 + 0,0050</b>	x F(GHz) Maxi
Insertion loss	<b>0.05</b>	$\sqrt{F}(\text{GHz})$ dB Maxi
RF leakage	<b>- ( 80</b>	- F(GHz)) dB Maxi
Voltage rating	<b>500</b>	Veff Maxi
Dielectric withstanding voltage	<b>1000</b>	Veff mini
Insulation resistance	<b>5000</b>	M $\Omega$ mini

Operating temperature	<b>-40/+105</b>	$^{\circ}$ C
Hermetic seal	<b>NA</b>	Atm.cm3/s
Panel leakage	<b>NA</b>	

**OTHER CHARACTERISTICS**

Assembly instruction

Others :

Coaxial transmission line only  
RF leakage interf.only:3<F<6GHz>70db

**MECHANICAL CHARACTERISTICS**

Center contact retention		
Axial force – Mating end	<b>18</b>	N mini
Axial force – Opposite end	<b>18</b>	N mini
Torque	<b>2.8</b>	N.cm mini
Recommended torque		
Mating	<b>NA</b>	N.cm
Panel nut	<b>100</b>	N.cm
Mating life	<b>100</b>	Cycles mini
Weight	<b>2,3600</b>	g

Issue : 1234 B

In the effort to improve our products, we reserve the right to make changes judged to be necessary.

