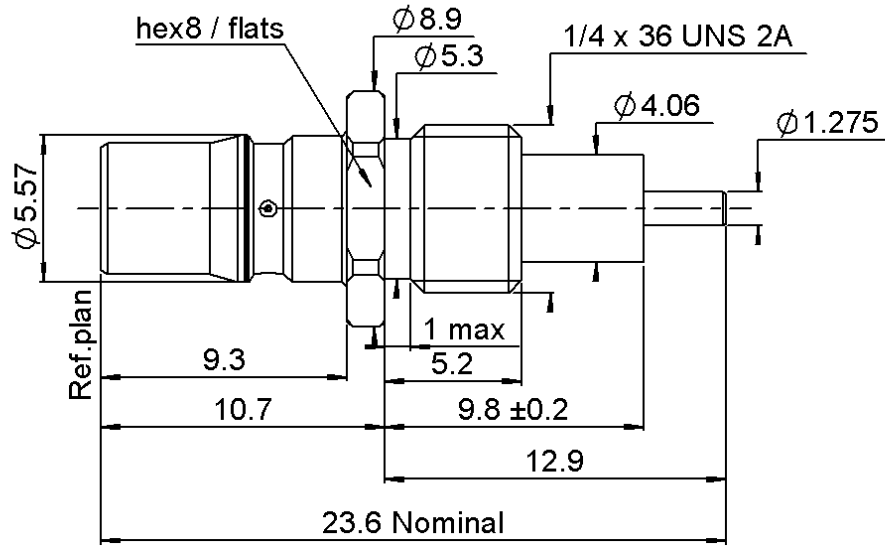


SCREW ON RECEPTACLE
FRONT MOUNT RECEPTACLE

R123.555.180

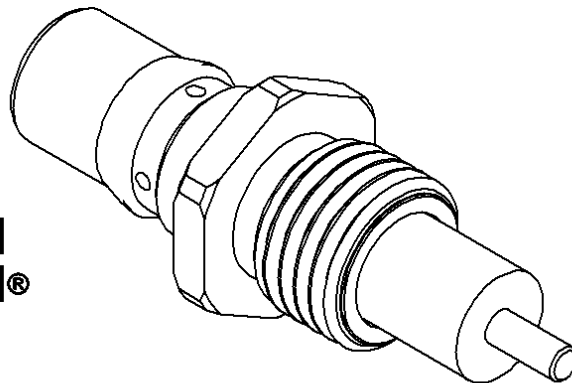
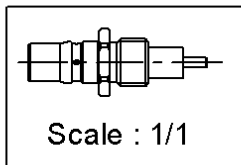
Series : QMA



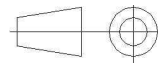
PANEL CUT OUT



A 1/4-36-UNS-2B



All dimensions are in mm.



COMPONENTS	MATERIALS	PLATING (µm)
BODY	BRASS	BBR 2
CENTER CONTACT	BERYLLIUM COPPER	NPGR
OUTER CONTACT		
INSULATOR	PTFE	
GASKET		
OTHERS PARTS		
-	-	-
-	-	-

Issue : 0802 A

In the effort to improve our products, we reserve the right to make changes judged to be necessary.



SCREW ON RECEPTACLE
FRONT MOUNT RECEPTACLE

R123.555.180

Series : QMA

PACKAGING

Standard	Unit	Other
100	'W' option	Contact us

SPECIFICATION

ELECTRICAL CHARACTERISTICS

Impedance	50	Ω
Frequency	0-6	GHz
VSWR	1.04 + 0,0050	x F(GHz) Maxi
Insertion loss	0.05	$\sqrt{F(GHz)}$ dB Maxi
RF leakage	- (80)	- F(GHz) dB Maxi
Voltage rating	500	Veff Maxi
Dielectric withstanding voltage	1000	Veff mini
Insulation resistance	5000	M Ω mini

ENVIRONMENTAL

Operating temperature	-40/+105	$^{\circ}$ C
Hermetic seal	NA	Atm.cm3/s
Panel leakage		

OTHER CHARACTERISTICS

Assembly instruction **NA**

Others :
Coaxial transmission line only
RF leakage interf.only:3<F<6GHz>70dB

MECHANICAL CHARACTERISTICS

Center contact retention		
Axial force – Mating end	27	N mini
Axial force – Opposite end	27	N mini
Torque	2.8	N.cm mini
Recommended torque		
Mating	NA	N.cm
Panel nut	100	N.cm
Mating life	100	Cycles mini
Weight	2,5230	g

Issue : 0802 A

In the effort to improve our products, we reserve the right to make changes judged to be necessary.

