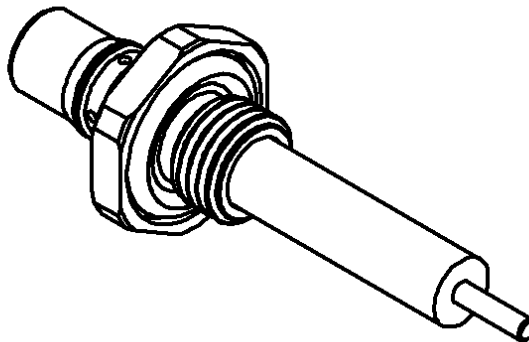
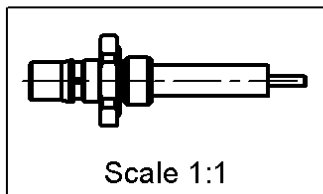
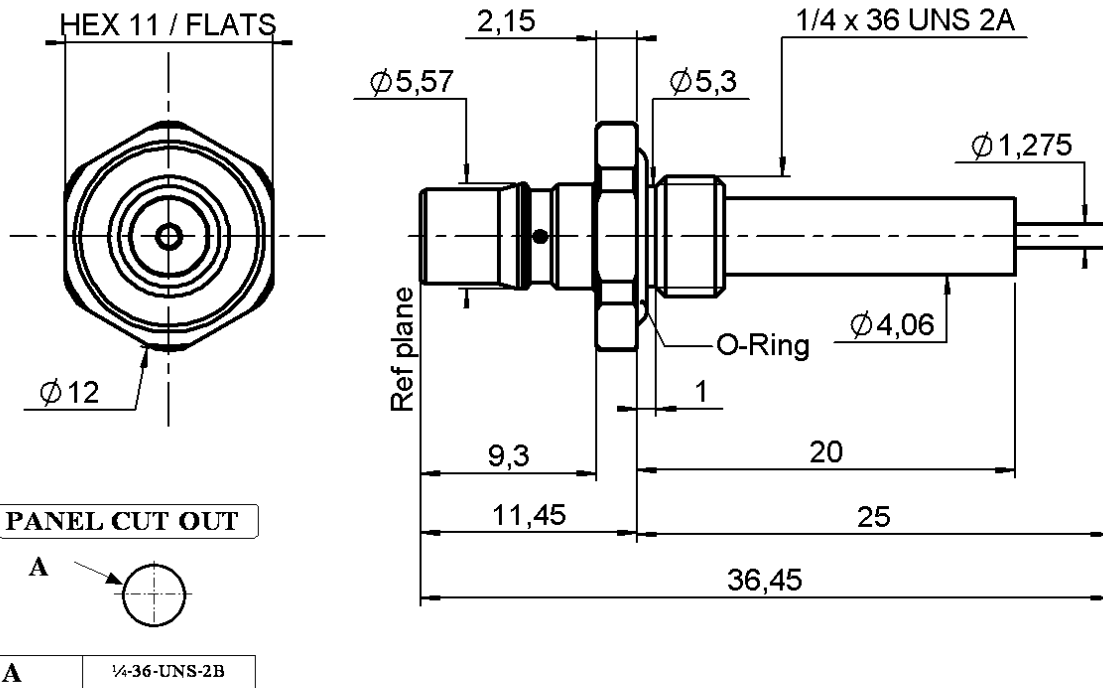


FRONT MOUNT SCREW ON RECEPTACLE

R123.555.080

PANEL SEAL

Series : QMA



All dimensions are in mm.

COMPONENTS	MATERIALS	PLATING (μm)
BODY	BRASS	BBR 2
CENTER CONTACT	BERYLLIUM COPPER	GOLD 1.3 OVER COPPER 2.5
OUTER CONTACT	-	-
INSULATOR	PTFE	-
GASKET	SILICONE RUBBER	-
OTHERS PARTS	-	-
-	-	-
-	-	-

Issue : 0923 A

In the effort to improve our products, we reserve the right to make changes judged to be necessary.



FRONT MOUNT SCREW ON RECEPTACLE

R123.555.080

PANEL SEAL

Series : QMA

PACKAGING

SPECIFICATION

Standard	Unit	Other
100	'W' option	Contact us

ELECTRICAL CHARACTERISTICS

ENVIRONMENTAL

Impedance	50	Ω
Frequency	0-6	GHz
VSWR	*1.04 + 0,0050	x F(GHz) Maxi
Insertion loss	.05	\sqrt{F} (GHz) dB Maxi
RF leakage	- (**80)	- F(GHz)) dB Maxi
Voltage rating	500	Veff Maxi
Dielectric withstanding voltage	1000	Veff mini
Insulation resistance	5000	M Ω mini

Operating temperature	-40/+105	$^{\circ}$ C
Hermetic seal	NA	Atm.cm3/s
Panel leakage	IP67	

OTHER CHARACTERISTICS

Assembly instruction

Others :

*Intermod.: -120dBc at 1.8GHz (2x20W)

**Rf Leakage: Interf. only: $3 < F < 6$ GHz: > 70 dB

MECHANICAL CHARACTERISTICS

Center contact retention		
Axial force – Mating end	27	N mini
Axial force – Opposite end	27	N mini
Torque	2.5	N.cm mini
Recommended torque		
Mating	NA	N.cm
Panel nut	100	N.cm
Mating life	100	Cycles mini
Weight	3,5000	g

Issue : 0923 A

In the effort to improve our products, we reserve the right to make changes judged to be necessary.

RADIALL 