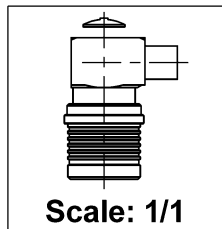
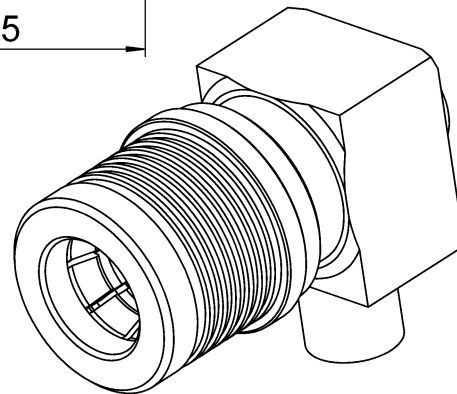
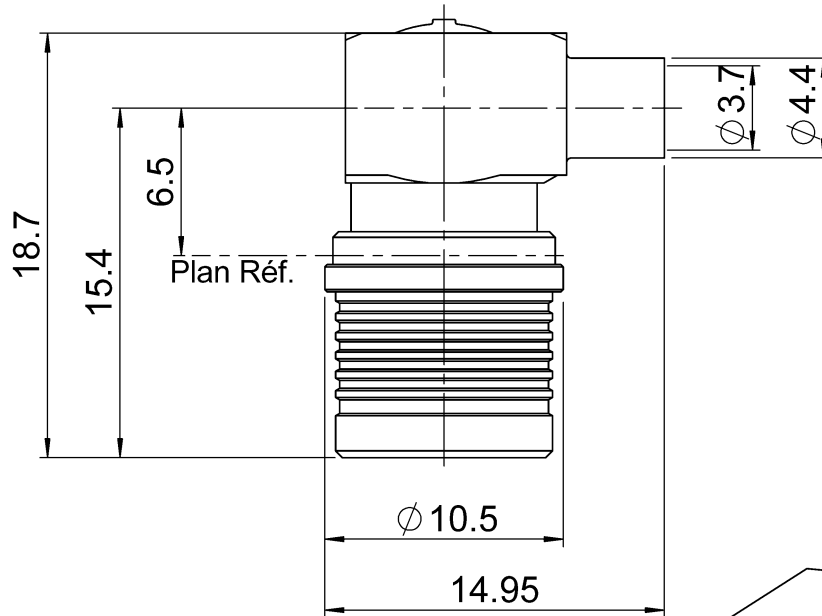
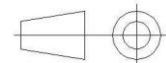


PAGE 1/2	ISSUE 15-05-15H	SERIES QMA	PART NUMBER R123154003
----------	-----------------	------------	------------------------



All dimensions are in mm.



COMPONENTS	MATERIALS	PLATING (μm)
Body	BRASS	GOLD OVER COPPER
Center contact	BRASS	NPGR
Outer contact	BRONZE	BBR
Insulator	PTFE	
Gasket	-	
Others parts	BRASS	GOLD OVER NICKEL
-	-	-
-	-	-

PAGE 2/2	ISSUE 15-05-15H	SERIES QMA	PART NUMBER R123154003
-----------------	------------------------	-------------------	-------------------------------

PACKAGING

Standard	Unit	Other
100	Contact us	Contact us

ELECTRICAL CHARACTERISTICS

Impedance	50	Ω
Frequency	0-6	GHz
VSWR	1.10 + 0.0200	x F(GHz) Maxi
Insertion loss	.05	\sqrt{F} (GHz) dB Maxi
RF leakage	- (***80)	- F(GHz)) dB Maxi
Voltage rating	335	Veff Maxi
Dielectric withstanding voltage	1000	Veff mini
Insulation resistance	5000	M Ω mini

MECHANICAL CHARACTERISTICS

Center contact retention		
Axial force – Mating End	18	N mini
Axial force – Opposite end	27	N mini
Torque	NA	N.cm mini
Recommended torque		
Mating	NA	N.cm
Panel nut	NA	N.cm
Clamp nut	NA	N.cm
A/F clamp nut	0.0000	mm
Mating life	100	Cycles mini
Weight	7.6700	g

ENVIRONMENTAL

Operating temperature	-40/+105	$^{\circ}\text{C}$
Hermetic seal	NA	Atm.cm3/s
Panel leakage	NA	

SPECIFICATION

CABLE ASSEMBLY

Stripping	a	b	c	d	e	f
mm	3.17	0	0	0	0	0

Assembly instruction: **Solder 02**

Recommended cable(s)

RG 402
KS 2
BELN YQ43858
HC80000-3

Characteristics indicated on this data sheet are those that can be achieved with the highest performance cable. Intrinsic limitations of the cable may diminish the performance of the assembly

Cable retention

- pull off	270	N mini
- torque	NA	N.cm

TOOLING

Part Number	Description	Hexagon
R282053000	STRIPPING TOOL	
R282067000	POINTER GAUGE	
R282740000	SOLDERING MOUNTING	
R282744240	SOLDERING POSITIONER	

OTHER CHARACTERISTICS

****Intermod. : -120dBc at 1.8GHz (2x20W)**
*****RF leakage(interface) 3<F<6GHz: >70dB**