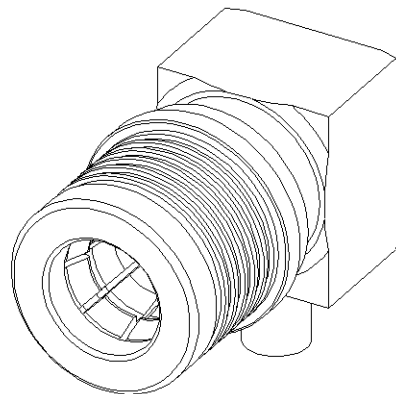
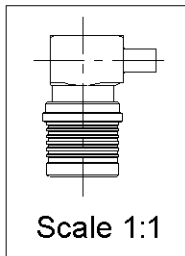
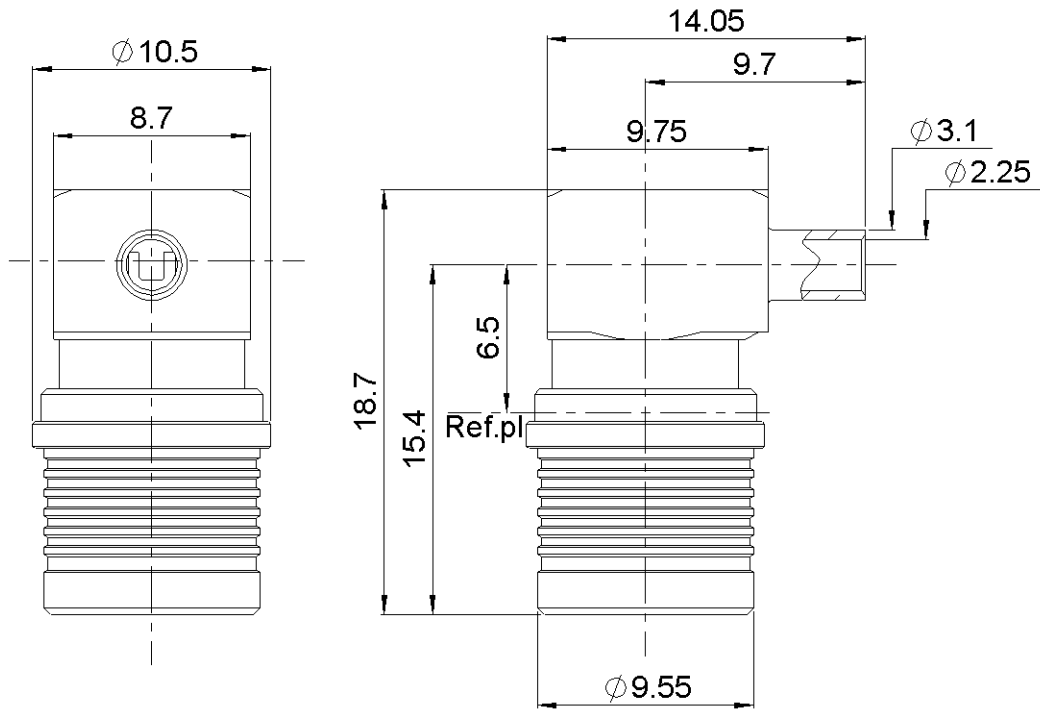
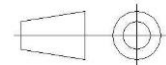


PAGE 1/2	ISSUE 18-06-15D	SERIES QMA	PART NUMBER R123153007
----------	-----------------	------------	------------------------



All dimensions are in mm.



COMPONENTS	MATERIALS	PLATING (µm)
Body	<b>BRASS.</b>	<b>NPGR</b>
Center contact	<b>BRASS.</b>	<b>NPGR</b>
Outer contact	<b>BRONZE</b>	<b>BBR</b>
Insulator	<b>PTFE</b>	
Gasket	-	
Others parts	<b>BRASS.</b>	<b>GOLD OVER NICKEL</b>
-	-	-
-	-	-

PAGE <b>2/2</b>	ISSUE <b>18-06-15D</b>	SERIES <b>QMA</b>	PART NUMBER <b>R123153007</b>
-----------------	------------------------	-------------------	-------------------------------

### PACKAGING

Standard	Unit	Other
<b>100</b>	<b>Contact us</b>	<b>Contact us</b>

### ELECTRICAL CHARACTERISTICS

Impedance	<b>50</b>	Ω
Frequency	<b>0-6</b>	GHz
VSWR	<b>1.10 + 0.0020</b>	x F(GHz) Maxi
Insertion loss	<b>0.05</b>	√F(GHz) dB Maxi
RF leakage	- ( <b>***80</b> )	- F(GHz)) dB Maxi
Voltage rating	<b>335</b>	Veff Maxi
Dielectric withstanding voltage	<b>1000</b>	Veff mini
Insulation resistance	<b>5000</b>	MΩ mini

### MECHANICAL CHARACTERISTICS

Center contact retention		
Axial force – Mating End	<b>18</b>	N mini
Axial force – Opposite end	<b>27</b>	N mini
Torque	<b>NA</b>	N.cm mini
Recommended torque		
Mating	<b>NA</b>	N.cm
Panel nut	<b>NA</b>	N.cm
Clamp nut	<b>NA</b>	N.cm
A/F clamp nut	<b>0.0000</b>	mm
Mating life	<b>100</b>	Cycles mini
Weight	<b>7.7600</b>	g

### ENVIRONMENTAL

Operating temperature	<b>-40/+105</b>	°C
Hermetic seal	<b>NA</b>	Atm.cm3/s
Panel leakage	<b>NA</b>	

### SPECIFICATION

**1301-RPT 408 2009/01 Rev C**

### CABLE ASSEMBLY

Stripping	a	b	c	d	e	f
mm	<b>3.17</b>	<b>0</b>	<b>0</b>	<b>0</b>	<b>0</b>	<b>0</b>

Assembly instruction: **Solder 02**

Recommended cable(s)

**BELN YQ40246**  
**RG 405**  
**KS 1**

Characteristics indicated on this data sheet are those that can be achieved with the highest performance cable. Intrinsic limitations of the cable may diminish the performance of the assembly

Cable retention

- pull off	<b>130</b>	N mini
- torque	<b>NA</b>	N.cm

### TOOLING

Part Number	Description	Hexagon
R282051000	STRIPPING TOOL	
R282063000	POINTER GAUGE	
R282740000	SOLDERING MOUNTING	
R282744240	SOLDERING POSITIONER	

### OTHER CHARACTERISTICS

**\*\*Intermod.: -120dBc at 1.8GHz(2x20W)**  
**\*\*\*RF leakage(interface) 3<F<6GHz:>70dB**